

# METAL BOX SWITCHING MODE POWER SUPPLIES

12V DC - 10 and 20 A - with battery backup

- Locking of box by key
- Embedded self-protection
- Protection by electronic fuse (PTC)
- LEDs on front



AD1210R

AD1220R

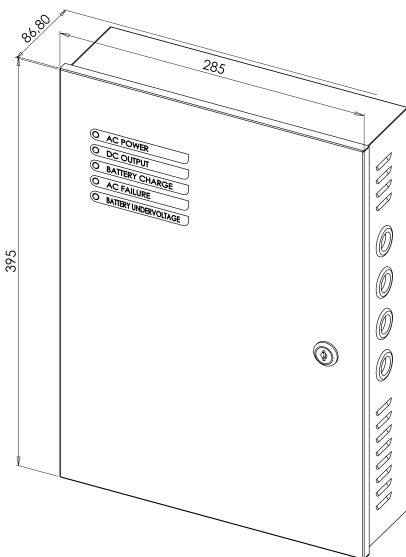
## PRODUCT FEATURES

References	V IN	V OUT	I (A)	W	°C	IP
AD1210R	110V - 240V AC	12V DC	10 A	120 W	0 +40 °C	40
AD1210RGC	110V - 240V AC	12V DC	10 A	120 W	0 +40 °C	40
AD1220R	110V - 240V AC	12V DC	20 A	240 W	0 +40 °C	40

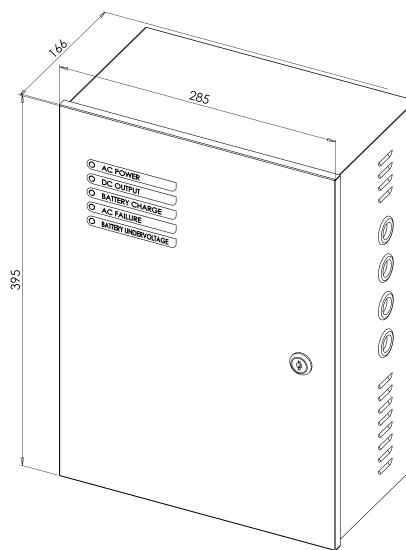


Information report (low battery and no mains)

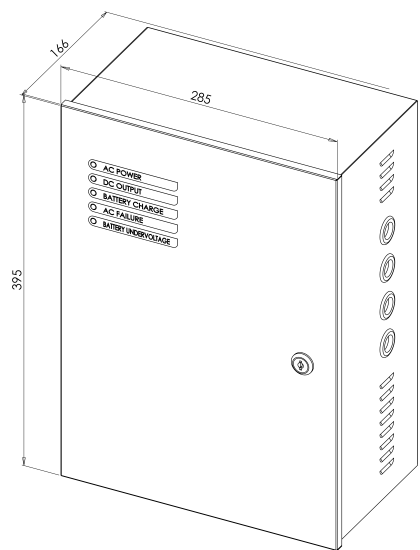
Item Code	Description	Weight in kg	Custom code
AD1210R	switching mode power supply 12vDC 10 A with output relay	3,939	85044090
AD1210RGC	switching mode power supply 12vDC 10 A with output relay - large box	5,011	85044090
AD1220R	Switching mode power supply 12V DC 20 A with output relay	4,971	85044090



AD1210R



AD1210RGC



AD1220R

