

THERMALCAMERA

TD-5525E1-VT

Thermal Network Turret Camera



Thermal:

- Resolution: 256×192
- 12μm, NETD: ≤50mK(@25°C, F#=1.0)
- Temperature range: -20°C~150°C
- Multi-palette: white hot, black hot, iron oxide red, etc.
- Sound and light warning, temperature exception alarm, fire detection
- Intelligent analytics: intrusion detection (human/motor vehicle classification), line crossing detection (human/motor vehicle classification)

Optical:

- 5MP (2592 × 1944) @30 fps
- ICR auto switch, true day/night vision
- 20~30m IR night view distance
- 3D DNR, true WDR(120dB), HLC, BLC, Smart IR, distortion image correction, ROI etc.
- Intelligent analytics: intrusion detection (human/motor vehicle/non-motor vehicle classification), line crossing detection (human/motor vehicle/non-motor vehicle classification), scene change detection, video exception detection, target counting(human/vehicle /non-motor vehicle classification), face detection, face capture

Shenzhen TVT DIGITAL TECHNOLOGY CO., LTD.

Address: 23rd Floor, Block B4, Building NO.9, Shenzhen Bay Eco-Technology Park, Nanshan District, Shenzhen, Guangdong Province, P.R.China

Tel: +86-755-36995888

Web site: <http://en.tvt.net.cn>

Fax: +86-755-33104777

E-mail: overseas@tvt.net.cn

SPECIFICATIONS

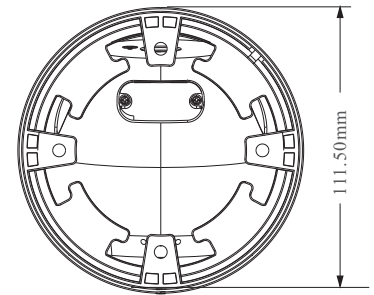
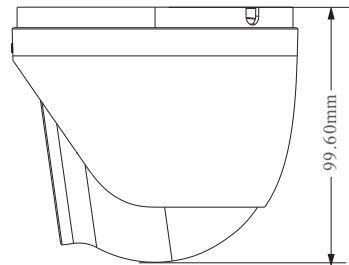
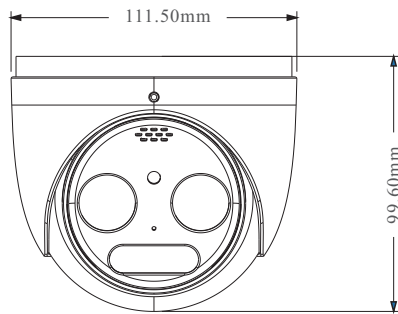
| Model | TD-5525E1-VT | |
|-----------------------------|--|--|
| Thermal Module | | |
| Detector Type | 12μm 256×192 Vanadium oxide uncooled focal plane detector | |
| Response Waveband | 8μm-14μm | |
| NETD | ≤50mK(@25°C, F#=1.0) | |
| IRIS Type | Fixed Iris | |
| Lens | 3.2mm@F1.1 | 7mm@F1.0 |
| Field of View(H×V) | 56°×42.2° | 24.8°×18.7° |
| Min. Focusing Distance | 0.5 m | 1.1m |
| Color Palettes | Black hot, White hot, iron oxide red, etc. | |
| DRI Distance Human (0.75m) | Detection: 133m(436ft) Recognition: 33m(108ft) Identification: 17m(56ft) | Detection: 292m(958ft) Recognition: 73m(240ft) Identification: 36m(118ft) |
| DRI Distance Vehicle (2.3m) | Detection: 409m(1342ft) Recognition: 102m(335ft) Identification: 51m(167ft) | Detection: 894m(2933ft) Recognition: 224m(735ft) Identification: 112m(367ft) |
| Visible Light Module | | |
| Image Sensor | 1/ 2.7" CMOS | |
| Image Size | 2592 × 1944 | |
| Electronic Shutter | 1/3 s ~ 1 / 100000 s | |
| Iris Type | Fixed Iris | |
| Min. Illumination | 0.02 lux@F1.6, AGC ON; 0 lux with IR 0.03 lux@F2.0, AGC ON; 0 lux with IR | |
| Lens | 4mm@F1.6 | 8mm@F2.0 |
| Field of View(H×V) | 81°×56.7° | 38°×27.5° |
| Wide Dynamic Range | 120dB | |
| BLC | Yes | |
| HLC | Yes | |
| Defog | Yes | |
| Digital NR | 2D/3D DNR | |
| Image | | |
| Video Compression | H.265 / H.264 / MJPEG | |
| H.264 Compression Standard | Baseline Profile / Main Profile / High Profile | |
| Bit Rate Type | VBR/CBR | |
| Bit Rate | 128Kbps~ 8Mbps | |
| Resolution | Thermal : 256 × 192 | |
| | Optical: 5MP (2592 × 1944), 4MP (2592 × 1520), 2K (2560 × 1440), 3MP (2304 × 1296), 1080P (1920 × 1080), 720P (1280 × 720), D1, CIF, 480 × 240 | |
| Main Stream | Optical: 60Hz: 5MP/4MP/2K/3MP/1080P/720P (1~30fps); 50Hz: 5MP/4MP/2K/3MP/1080P/720P (1~25fps) | |
| | Thermal : 60Hz: 256 × 192 (the resolution of output image is 720P) (1~30fps); 50Hz: 256 × 192 (the resolution of output image is 720P) (1~25fps) | |
| Sub Stream | Optical: 60Hz: 720P/D1/CIF (1~30fps); 50Hz: 720P/D1/CIF (1~25fps) | |
| | Thermal : 60Hz: 256 × 192 (the resolution of output image is 720P) (1~30fps); 50Hz: 256 × 192 (the resolution of output image is 720P) (1~25fps) | |
| Third Stream | Optical: 60Hz: D1/CIF/480 × 240(1~30fps); 50Hz: D1/CIF/480 × 240(1~25fps) | |
| | Thermal : 60Hz: 256 × 192 (the resolution of output image is 720P) (1~30fps); 50Hz: 256 × 192 (the resolution of output image is 720P) (1~25fps) | |
| Image Settings | ROI, Saturation, Brightness, Hue, Contrast, Wide Dynamic, Sharpness, NR, etc. adjustable through client software or web browser | |
| Audio Compression | G711A/U | |
| ROI | 8 regions; each ROI to be configured separately | |

| Interfaces | |
|-------------------------|--|
| Network | RJ 45 |
| Video Output | No |
| Audio | 1CH 3.5mm MIC/LIN in audio input; 1CH built-in MIC; 1CH built-in speaker |
| Storage | Built-in micro SD card slot; up to 256GB |
| Reset | Yes |
| RS 485 | No |
| Alarm | 1CH alarm input; 1CH alarm output |
| Functions | |
| Temperature Range | -20°C~150°C (-4°F~302°F) |
| Temperature Accuracy | ±8°C |
| Temperature alarm | Over temperature alarm, low temperature alarm |
| Temperature Measurement | 10 rules in total (Point: up to 10; Line: 2, recommended; Area: 2, recommended) |
| Fire Detection | Dynamic fire detection, up to 10 fire points detectable |
| Remote Monitoring | Web browser/NVMS2.X/Mobile APP |
| Online Connection | Support simultaneous monitoring for up to 10 users; Support multi-stream real time transmission |
| Network Protocol | UDP, IPv4, IPv6, DHCP, NTP, RTSP, RTP, RTCP, PPPoE, DDNS, SMTP, FTP, SNMP, HTTP, 802.1x, UPnP, HTTPS, QoS |
| Interface Protocol | ONVIF |
| Storage | Network remote storage; micro SD card storage |
| Smart Alarm | Motion detection, SD card error, SD card full, IP address conflict, Cable connection |
| Intelligent Analytics | Optical: intrusion detection/line crossing detection (human/motor vehicle/non-motor vehicle classification), scene change detection, video exception detection, target counting (human/motor vehicle/non-motor vehicle classification), face detection, face capture Thermal: fire detection, temperature exception alarm, intrusion detection/line crossing detection (human/motor vehicle classification) |
| General Function | Watermark, IP address filtering, video mask, heartbeat, password protection, image distortion correction |
| Sound&Light Warning | White light flashing alarm and sound alarm supported |
| PoE | Yes, IEEE802.3 af, class0 |
| IR Distance | 20~ 30m |
| Protection Grade | IP66 |
| Others | |
| Power Supply | DC12V / PoE |
| Power Consumption | < 9W |
| Operating Environment | Humidity: less than 95% (non-condensing) -30°C ~ 60°C (-22°F~140°F) |
| Certificate | CE, FCC |
| Environment Protection | Complies with Directive EU RoHS, WEEE(2012/19/EU), directive 94/62/EC and REACH(EC1907/2006) |
| Dimensions (mm) | Ø111.5 × 99.6 |
| Weight (net) | Approx. 0.68KG |
| Installation | Ceiling mounting; Wall mounting |

AVAILABLE MODEL

| Available Model | TD-5525E1-VT(3/PE) | 3.2mm thermal lens |
|-----------------|--------------------|--------------------|
| | TD-5525E1-VT(7/PE) | 7mm thermal lens |

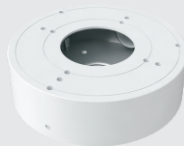
DIMENSIONS



AVAILABLE ACCESSORIES



TD-YXH0302



TD-YXH0106



TD-YXH0302+TD-YZJ0407+TD-YZJ0501



TD-YZJ0203



TD-YXH0302+TD-YZJ0407+TD-YZJ0601



TD-YXH0302+TD-YZJ0811