

# BIOC3

STYLISH NETWORK BIOMETRIC READER WITH WIEGAND OUTPUT

BIOC3 is a Wiegand biometric reader for indoors access control applications. It offers storage up to 9500 fingerprints and programmable Wiegand Output (8 to 128 bits).

Configuration of the readers and fingerprint enrollment is done through PC Software.

Connection between the biometric readers is RS-485 and it is used for fingerprint transfer and configuration.

Management of the reader is integrated in our access control software PROS CS.

For integration with other systems we provide:

- Biomanager CS, client-server based software package for solutions without additional development
- CNV1000, TCP/RS-485 communication converter for connection between software and readers



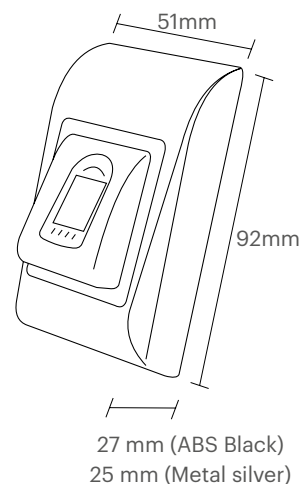
INTERNAL USE ONLY

## FEATURES

- Surface mount fingerprint reader with capacitive sensor
- Compatible with most of the Wiegand controllers
- SteelCoat protective coating provides added protection of fingerprint sensor for rugged environments
- Recognition and matching time: < 1 s
- Storage capacity: 9500 Fingerprints
- Configuration and user management is done with software
- Enrolment can be also done from Desktop Reader BIOPROX-USB-desktop biometry with proximity reader or reader itself.
- Adjustable Wiegand protocol (1 to 128-bit) is utilized in the biometric reader which makes it compatible with controllers with Wiegand interface
- Wiegand Protocol adjustment done through PC
- Separate BioManager CS Software available free when used with third party controllers
- Fingerprints stored in the reader and backup copy kept in the software
- Compatibility with XPR Control Panels: EWS
- Programmable backlight ON/OFF
- Power Supply: 12 V DC
- Consumption: 100mA max.
- Weight: 200 g
- IP rating: IP54



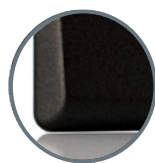
## DIMENSIONS



## COLOURS

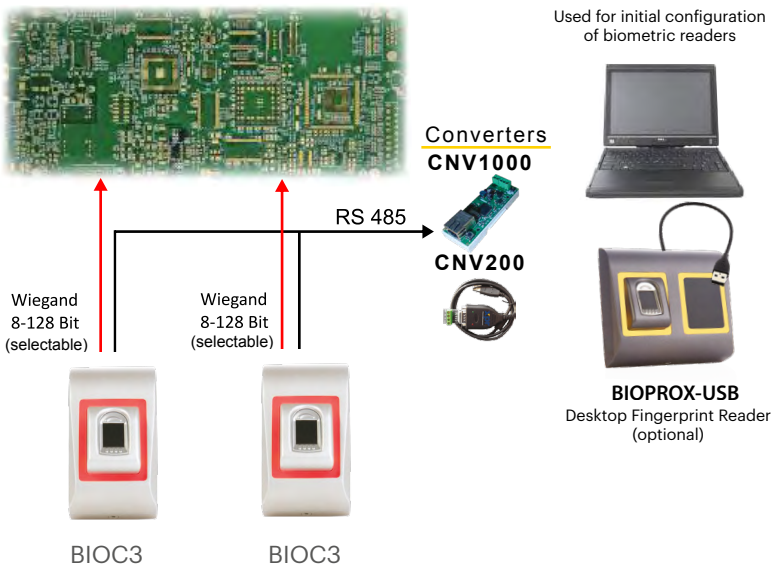


BIOC3S  
Silver - Metal



BIOC3BK  
Black - ABS

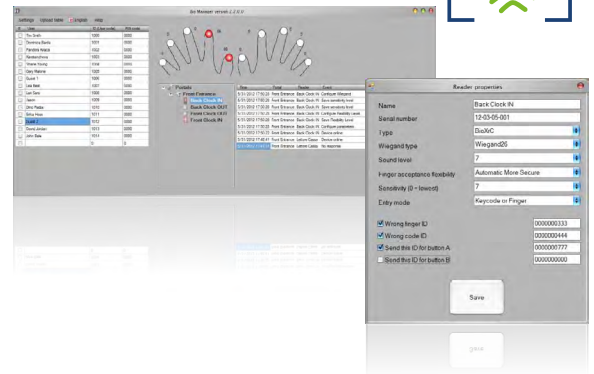
## THIRD PARTY CONTROLLER - ARCHITECTURE



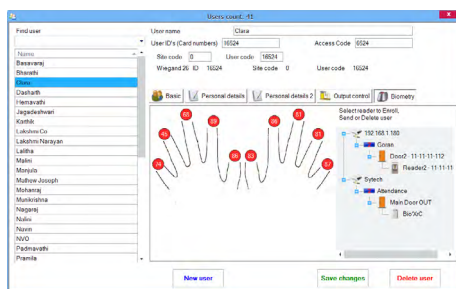
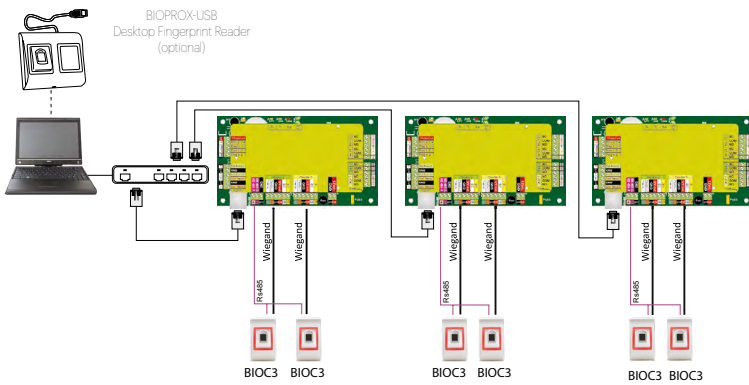
- › Enrolment can be done from any biometric reader in the network or from Desktop USB Enrollment Unit.
- › Finger templates can be sent to all readers in the network. Different Users can be sent to different Fingerprint Readers.

## BIOMANAGER CS SOFTWARE

- › Windows based PC Software
- › Free Fingerprint Management Software for XPR Biometric Readers



## EWS CONTROLLER - ARCHITECTURE



## PROS CS SOFTWARE

- Client-Server Software that allows multiple users to connect to the server PC.
- User-Friendly windows Interface for simple programming, management and control of installations.

More info about the software on:  
<http://www.xprgroup.com/products/pros-cs/>

CLIENT  
**PROS CS**  
SERVER