

CNV1000

TCP/IP TO RS-485 CONVERTER

TCP/IP to RS-485 convertor dedicated for use with EWS and biometry products

CNV1000

CNV1000-E

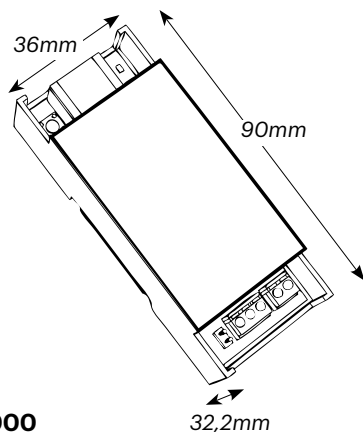
FEATURES

- Configuration done by Internet browser, PROS or Biomanager
- Security: Dedicated IP or/and MAC address
- Configurable IP and MAC Address, TCP port
- Reset IP to default by tact switch
- DDNS support
- Visual LED signalization (TCP/UDP packets)
- Includes DHCP client
- Available PCB only or with DIN Housing

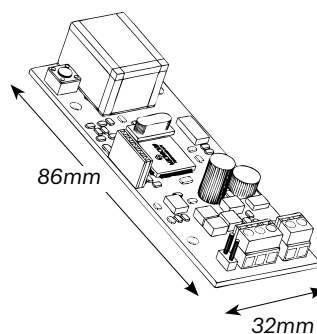
SPECIFICATIONS

- Network plug: RJ-45
- POE: No
- Network interface: 10 BaseT, Half duplex
- RS-485 interface: 38400 Bps, 8 bit data, no parity, 1 stop bit
- Support "Find Portals" by PROS and Biomanager: Yes
- Power supply: 12VDC, 100 mA
- PCB size: 32 x 86 mm, 4 fixing holes dia. 3mm
- Housing: DIN Rail, plastic, size 2 unit

DIMENSIONS



CNV1000



CNV1000-E