



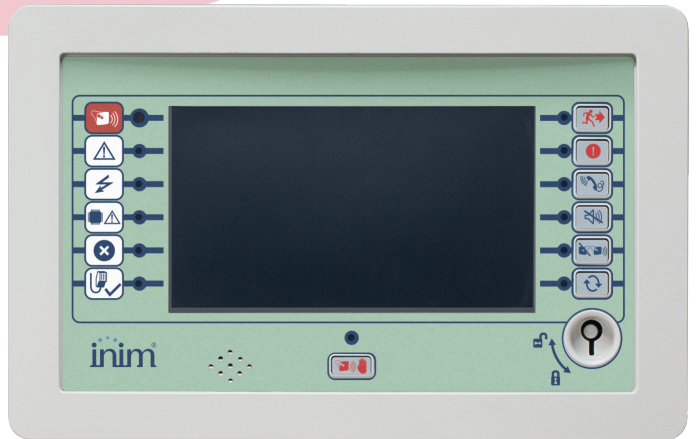
# PREVIDIA | ULTRA

## FPAMIAS

### MAIN CONTROL UNIT FOR VOICE FUNCTIONS FOR PREVIDIA ULTRA CONTROL PANELS

Main control unit for voice and evacuation functions equipped with touchscreen colour graphic display. It deals with the management and coordination of the various voice modules.

A single Previdia Ultra control panel can house only one of these modules. Mounts to the front plate and, if housed in the upper opening, connects to the CAN DRIVE+ bar. If housed in the lower opening, it connects to the FPMCPU module in the upper opening.



## — TECHNICAL SPECIFICATIONS

### Main features

- Connection to the CAN DRIVE+ bar present inside the control panel cabinet
- Maximum 1 module per control panel
- Ethernet/TCP-IP input for configuration up/downloading
- Mini-USB port for the configuration
- Connection with push-to-talk microphone and emergency telephone (optional) on the front panel
- Monitor speaker for listening to audio sources
- 7" touchscreen graphic LCD
- Status LEDs and function keys for evacuation management

### Electrical specifications

Power supply voltage	20 -30 V $\overline{\text{---}}$ (powered by the CAN DRIVE+ bar)
Maximum current draw	110 mA
Absorption in the event of mains power failure	60 mA

### Mechanical specifications

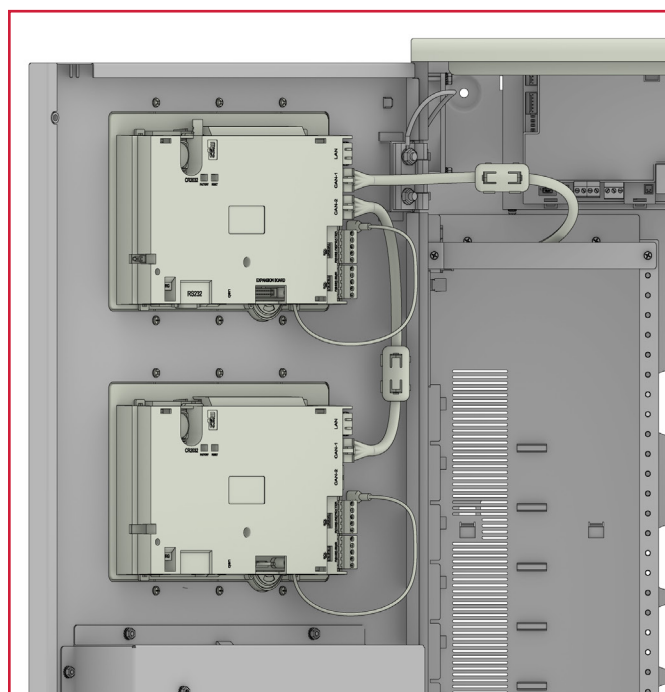
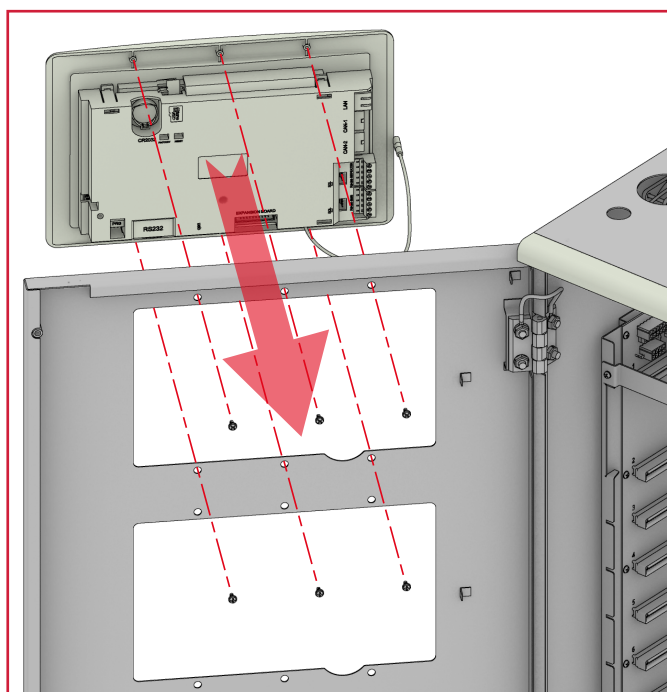
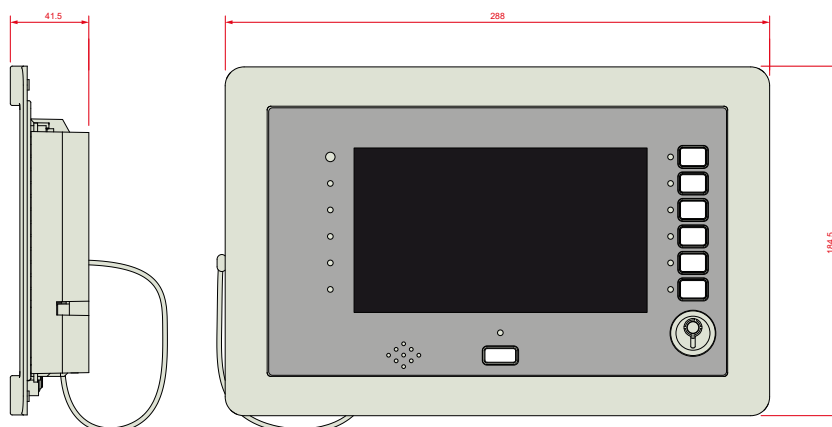
Dimensions	288 x 184.5 x 41.5 mm	
Weight	670 g	
Enclosure	material	Plastic
	colour	light grey
	Flame class	UL 94 V-2

### Hardware specifications

FW upgrade	via mini-USB port
------------	-------------------



## Dimensions and installation



## — ORDER CODES

### FPAMIAS

Control unit for voice and evacuation functions for Previdia Ultra control panels (a module supplied already assembled in the Previdia-Ultravox and Previdia-Vox control panels)



Centobuchi, via Dei Lavoratori 10  
63076, Monteprandone (AP), ITALY  
Tel. +39 0735 705007 \_ Fax +39 0735 704912

[info@inim.biz](mailto:info@inim.biz) \_ [www.inim.biz](http://www.inim.biz)

Inim distributor's stamp and signature