

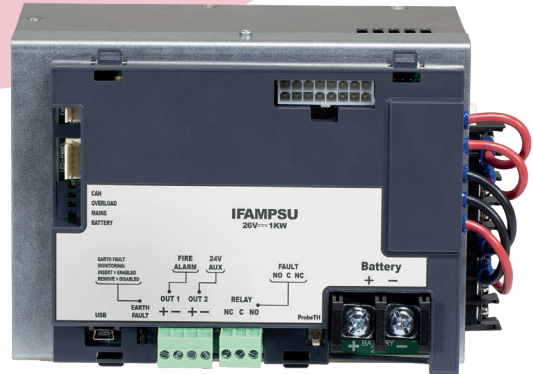


PREVIDIA | ULTRA

IFAMPSU

1000W POWER SUPPLY MODULE FOR PREVIDIA ULTRA CONTROL PANELS

1000W switching power supply module. It connects to the mains power supply and supplies a maximum 40A current to the system. Provides a 3A battery-charger capable of maintaining under charge 17Ah, 24Ah or 38Ah batteries. It has two supervised outputs and a configurable relay output (at factory default configured as Alarm output, AUX output and fault signalling relay). It accepts 230Vac or 115Vac 50/60 Hz input voltage. Only one power supply module can be housed inside each metal cabinet. Each control panel manages a maximum of 4 power supply modules (one for each eventual cabinet).



TECHNICAL SPECIFICATIONS

Main features

- 1000W power supply module (26V - 38A)
- Extended range mains voltage supply (115V ~ - 230V ~)
- Integrated battery charger
- Control and monitoring of batteries
- 2 supervised outputs and a relay output (preconfigured as alarm, AUX and fault respectively)
- Efficiency up to 94%
- It connects to the CAN DRIVE+ bar via a wire, leaving all 8 slots on the bar free
- Maximum 4 FPMPUSU modules per control panel (1 per cabinet)

Electrical specifications

Power supply voltage		230V~ (+10% - 15%) 115V~ (+10% - 15%) 50/60 Hz
Maximum current draw from mains		5A @230V~ 8.5A @115V~
Output voltage		26V~ nominal +/- 10%
Maximum output ripple		200mVpp
Power factor		0.95 @ 230V ~ at full load 0.99 @ 115V ~ at full load
Overvoltage protection		105 /135% of the declared potential (constant current limit, automatic reset to the reset of the overload conditions)
Overload protection		29 / 33 V
Overheating protection		Output voltage suspension, reactivation to reset temperature
Maximum output current:	Total output of the power group (Imax b according to EN54-4)	38 A @ 230V~ 32 A @ 115V~
	Battery charger	3 A
	For external loads (Imax a according to EN54-4)	35 A@230V~ 29 A@115V~
	On each output (OUT1 and OUT2)	1.5A @27.6V~
	On relay (RELAY)	5A @ 30V~
Consumption of batteries in the event of mains network failure		30mA

Mechanical specifications

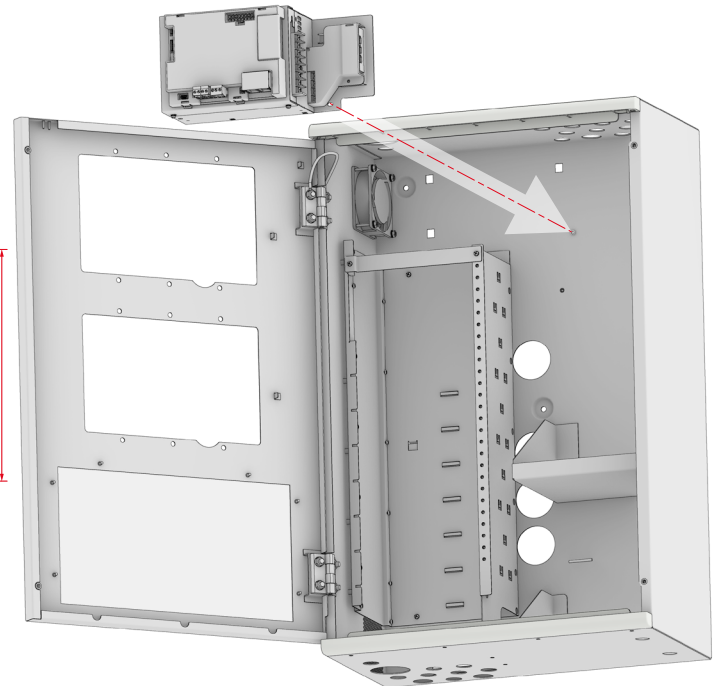
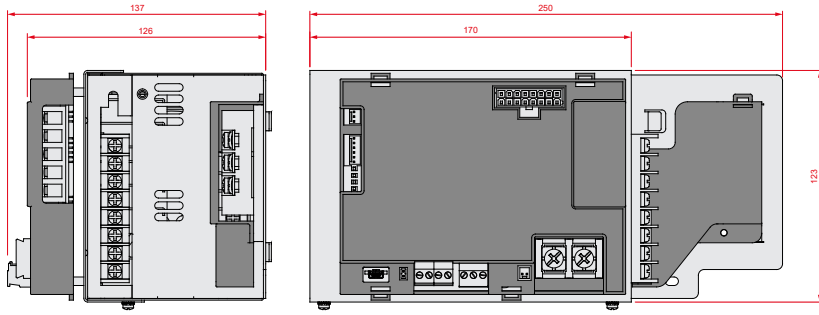
Dimensions		250 x 137 x 123 mm
Weight		2.3 Kg
Casing cover	material	Plastic
	colour	RAL7015
	flame class	UL 94 V-2
Box and base	material	Metal

Hardware specifications

Relay output		1
Supervised configurable outputs		2
FW upgrade		via mini-USB port
Activity and status LED		4

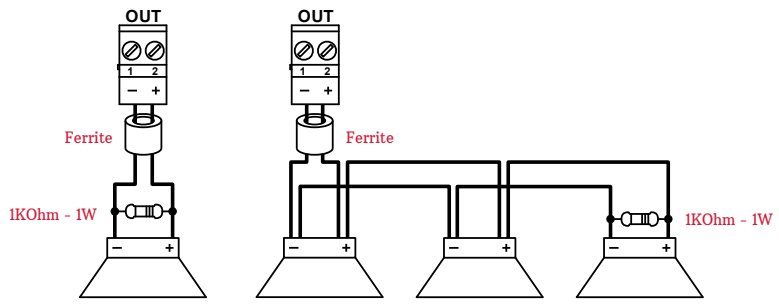


Dimensions and installation

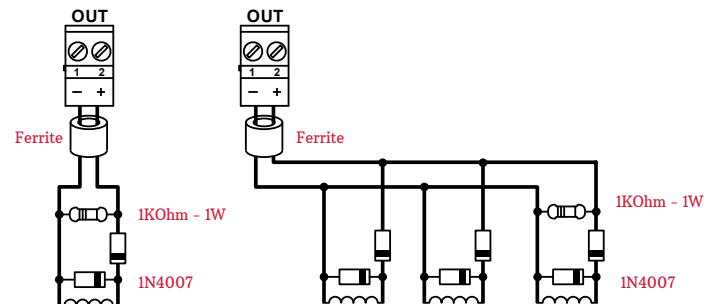


CONNECTIONS

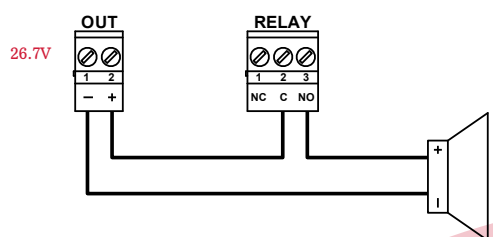
Connection of polarized devices (sounders, etc.) to the OUT outputs



Connection of polarized devices (sounders, etc.) to the OUT outputs



Connection of a generic device to the RELAY output



ORDER CODES

IFAMPSU 250W audio amplifier module for Previdia Ultra control panels (module supplied already assembled in Previdia-Ultravox and Previdia-Vox control units)



Centobuchi, via Dei Lavoratori 10
63076, Monteprandone (AP), ITALY
Tel. +39 0735 705007 _ Fax +39 0735 704912

info@inim.biz _ www.inim.biz

Inim distributor's stamp and signature