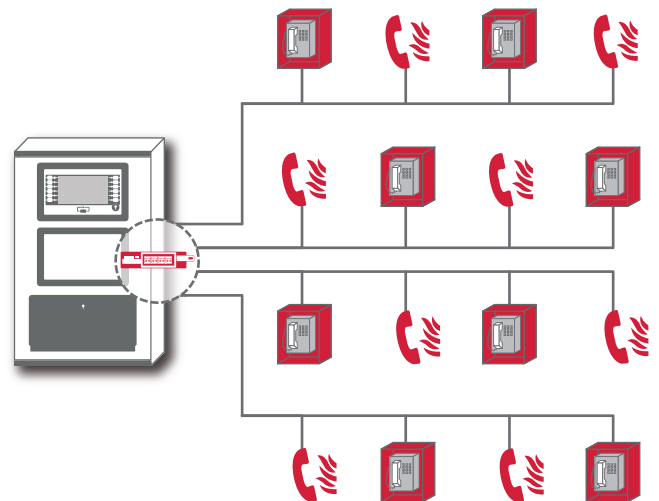


IFAMFFT

EMERGENCY TELEPHONE MANAGEMENT MODULE FOR PREVIDIA ULTRAVOX CONTROL PANELS

Module for the management of emergency telephones, provides 4 lines for connecting emergency telephones up to a maximum of 64 telephones for each line. By picking up one of the telephones connected to the lines, the request for a conversation is notified on the front panel FPAMIAS and the call can be accepted by via the display. It is possible to create a chat with up to 5 incoming calls. Each control panel manages up to 4 IFAMFFT modules.



— TECHNICAL SPECIFICATIONS

Main features

- It can be plugged into the CAN DRIVE+ bar of Previdia Ultra cabinets
- Manages up to 4 emergency telephone lines
- Up to 64 emergency telephones in parallel for each line
- Maximum 4 IFAMFFT modules per control panel for a maximum of 16 emergency telephone lines
- Line connection via twisted pair cable with a maximum length of 500m

Electrical specifications

Power supply voltage	20 -30 V $\overline{\text{DC}}$ (powered by CAN DRIVE+ bar)
Maximum current draw	80 mA

Mechanical specifications

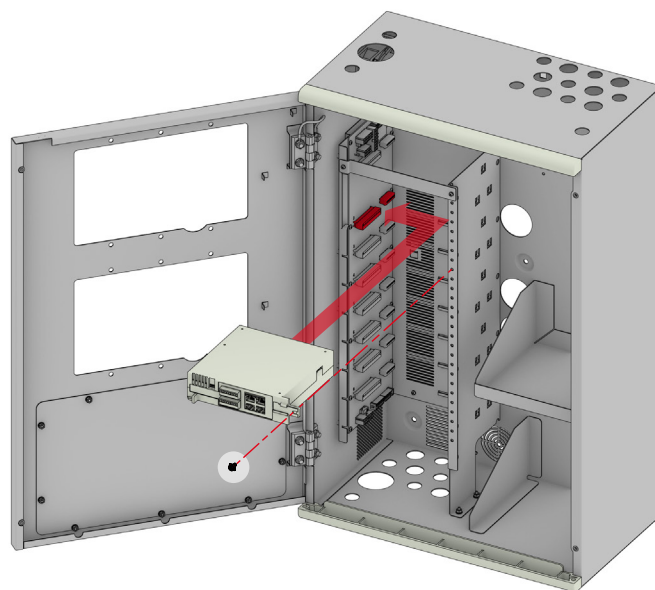
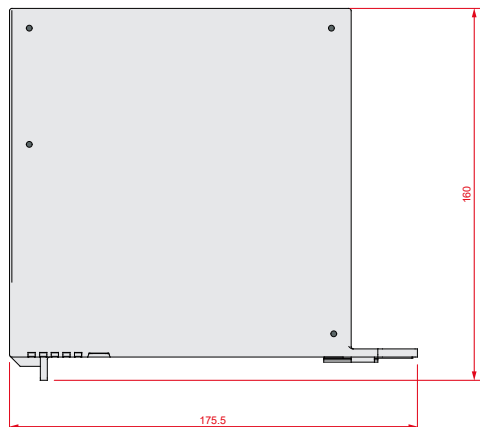
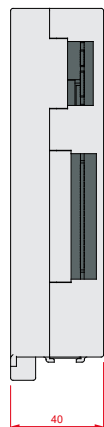
Dimensions	175.5 x 160 x 40 mm	
Weight	330 g	
Enclosure	material	Plastic
	colour	RAL7015
	flame class	UL 94 V-2

Hardware specifications

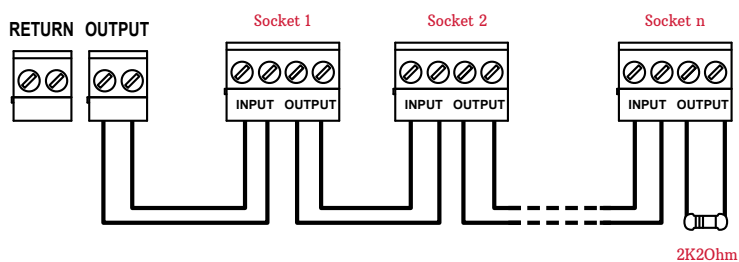
FW upgrade	via mini-USB port
Activity and status LED	5



Dimensions and installation



— CONNECTIONS



— ORDER CODES

IFAMFFT

Emergency telephone management module for Previdia Ultra control panels



Centobuchi, via Dei Lavoratori 10
63076, Monteprandone (AP), ITALY
Tel. +39 0735 705007 _ Fax +39 0735 704912

info@inim.biz _ www.inim.biz

Inim distributor's stamp and signature