

DELFL 165/6 PP

6.5" 6W CEILING MOUNT LOUDSPEAKER

The DELFL 165/6 PP loudspeaker for voice evacuation systems is a 6W loudspeaker suitable for a wide variety of applications thanks to its elegant aesthetic design and its acoustic characteristics.

Enclosure made in powder-paint coated metal (165mm thickness), this device is ideal for installation in commercial environments (e.g. shops, hotels) where voice messages and background music are frequently broadcast.

Spring bracket ceiling mount make installation quick and easy.

EN54-24 certified.



— TECHNICAL SPECIFICATIONS

Main features

- 6.5" speaker
- Suitable for 70V or 100V lines
- Equipped with internal transformer for adapting the power parameters
- Flush ceiling mount
- Quick assembly by means of three metal spring clips
- Internal selector to adjust the output power to 0.75 / 1.5 / 3 / 6 W
- Metal rear dome included
- Metal front grille
- White colour
- Ceramic connection terminal
- Thermal protection fuse included
- EN54-24 certified

Electrical specifications

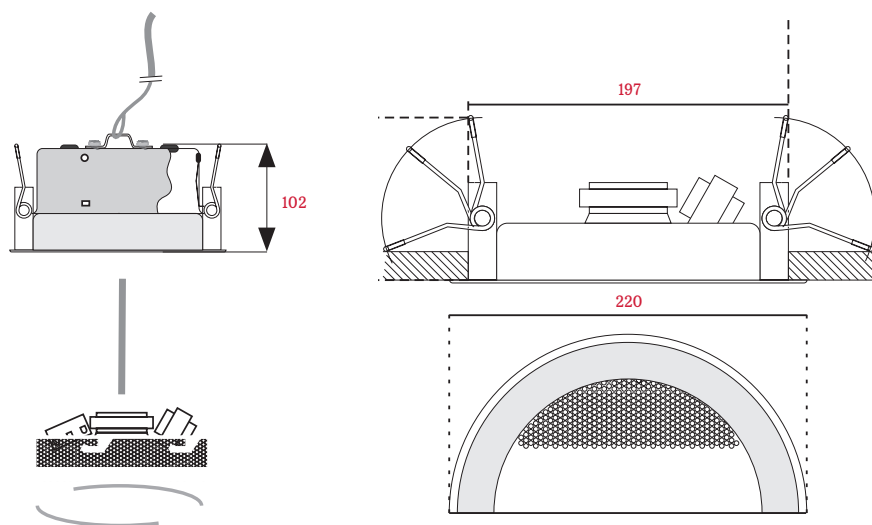
Power (PHC)	0.75 / 1.5 / 3 / 6 W (internal selector)
SPL (Sound Pressure Level)	93 dB (1W @ 1m)
Frequency response	325 Hz – 16.1 KHz (-10 dB)
Operating voltage	70 – 100 Vrms

Mechanical specifications

IP protection grade	32
Enclosure material	Metal
Dimensions	Ø 220 x 102 mm
Weight	1.5 Kg
Colour	White RAL 9010
Mounting type	Flush mount to ceiling



Dimensions



— ORDER CODE

DELF 165/6 PP 6.5" 6W ceiling-mount loudspeaker

inim[®]

Centobuchi, via Dei Lavoratori 10
63076, Monteprandone (AP), ITALY
Tel. +39 0735 705007 _ Fax +39 0735 704912

info@inim.biz _ www.inim.biz

Inim distributor's stamp
and signature