

# DL-E 06-165/T-EN54 SAFE

## 6.5" 6W CEILING MOUNT VOICE ALARM LOUDSPEAKER

The DL-E 06-165/T-EN54 SAFE loudspeaker for voice evacuation systems is a 6.5" 6W loudspeaker, certified EN54-24. Thanks to an innovative airflow system, this speaker is characterized by the typical bass sound features of conventional loudspeakers. With a weight of less than 1kg and its reduced thickness, it is ideal for installations with shallow depth (70 mm) thanks to the ceramic four post terminal block (supplied). Made of metal, this speaker is powder-paint coated to ensure resistance in damp environments and provide long-term stability.



### — TECHNICAL SPECIFICATIONS

#### Main features

- 6.5" speaker
- Suitable for 70V or 100V lines
- Equipped with internal transformer for adapting the power parameters
- Ceiling mount
- Internal selector to adjust the output power to 6 / 3 / 1.5 W
- White colour
- Ceramic connection terminal
- Thermal protection fuse included
- EN54-24 certified

#### Electrical specifications

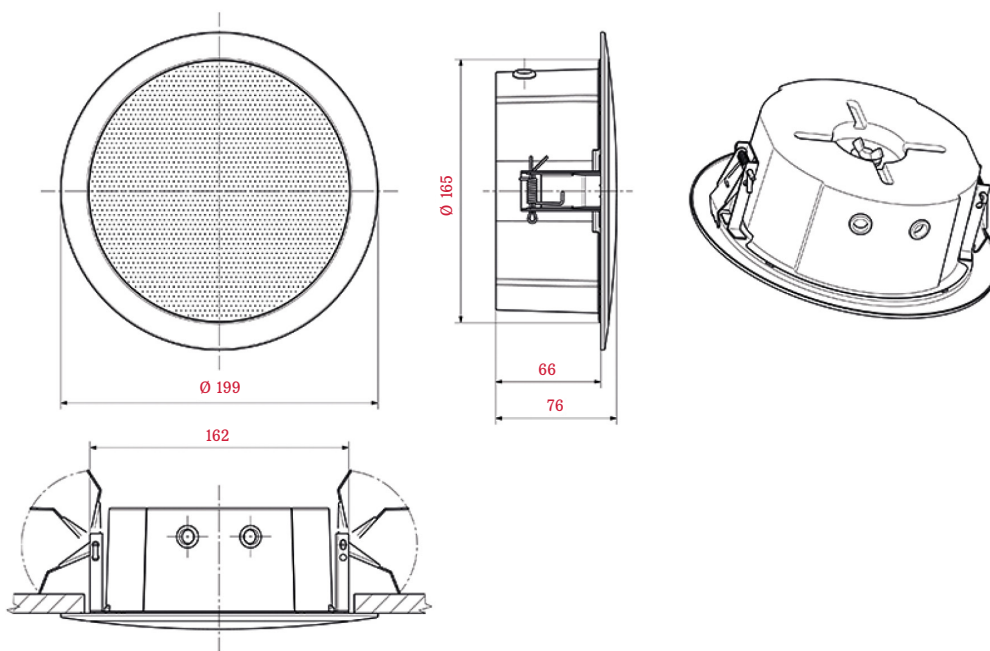
Power (PHC)	6 / 3 / 1.5 W (internal selector)
SPL (Sound Pressure Level)	85 dB (1W @ 1m)
Frequency response	70 Hz – 23.500 KHz (-10 dB)
Operating voltage	70 – 100 Vrms

#### Mechanical specifications

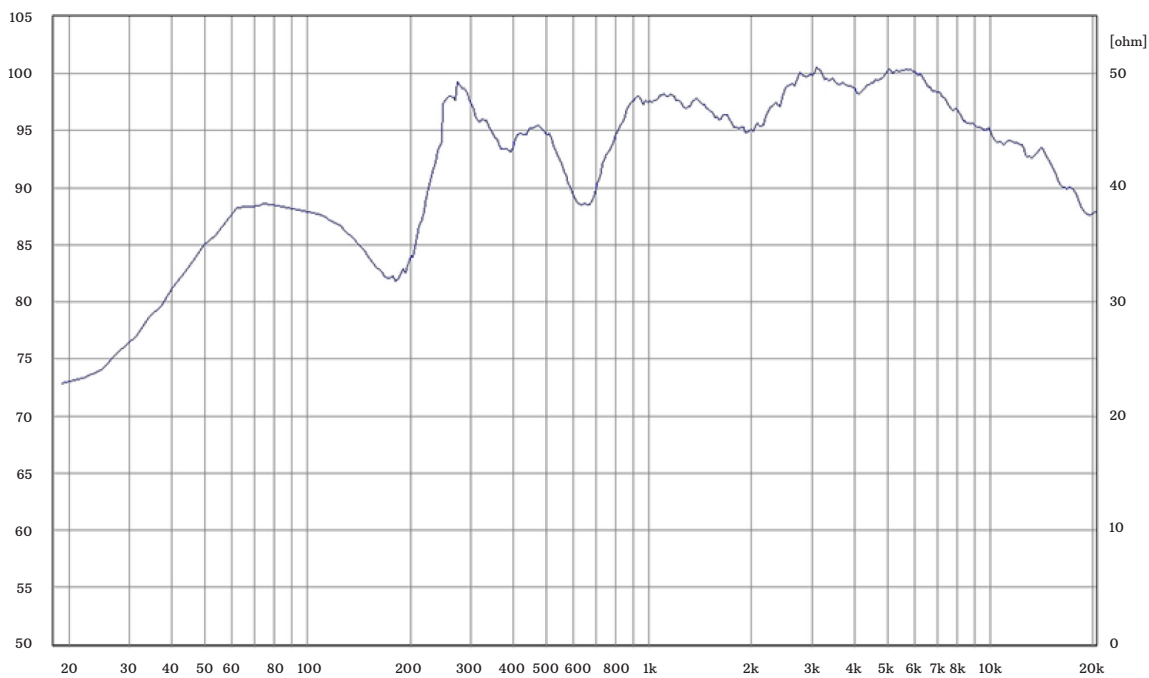
IP protection grade	21
Enclosure material	Metal
Dimensions	Ø 199 x 76 mm
Weight	0.68 Kg
Colour	White RAL 9016
Mounting type	Ceiling mount



## Dimensions



## Diagrams



## — ORDER CODE

**DL-E 06-165/T-EN54 SAFE** 6.5" 6W ceiling mount voice alarm loudspeaker, certified EN54-24



Centobuchi, via Dei Lavoratori 10  
63076, Monteprandone (AP), ITALY  
Tel. +39 0735 705007 \_ Fax +39 0735 704912

info@inim.biz \_ [www.inim.biz](http://www.inim.biz)

Inim distributor's stamp and signature