

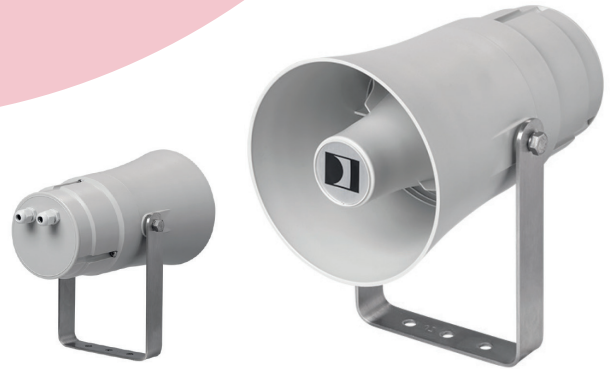
DK 10/T-EN54-PG

10W WALL OR CEILING MOUNT HORN LOUDSPEAKER

The 10W DK 10/T-EN54-PG horn loudspeaker for voice evacuation systems is equipped with a line transformer with 4 power settings and is EN54-24 certified.

The ABS material which it is made of provides this loudspeaker with high impact resistance and long-term stability, also provided by a ceramic terminal block and a thermal fuse included in the product package.

The package also includes a universal U-shaped stainless steel support to ensure flexible installation (wall or ceiling).



— TECHNICAL SPECIFICATIONS

Main features

- Horn loudspeaker
- Suitable for 70V or 100V lines
- Equipped with internal transformer for adapting the power parameters
- Wall or ceiling mount
- Internal selector to adjust the output power to 10 / 5 / 2.5 / 1.25 W
- Gray colour
- Ceramic connection terminal
- Thermal protection fuse included
- EN54-24 certified

Electrical specifications

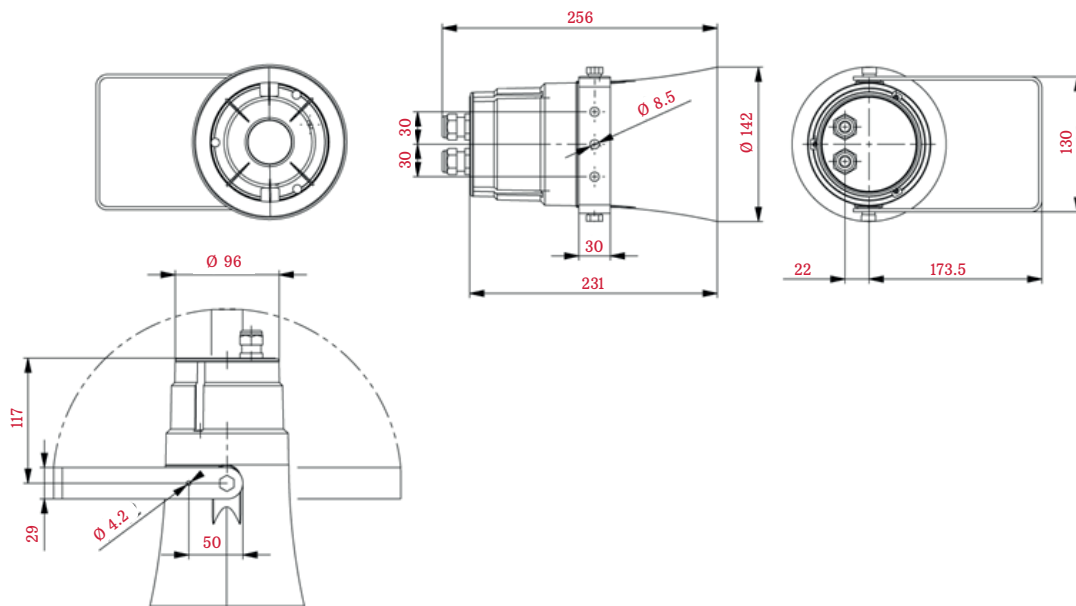
Power (PHC)	10 / 5 / 2.5 / 1.25 W (internal selector)
SPL (Sound Pressure Level)	91 dB (1W @ 1m)
Frequency response	370 Hz – 13.600 KHz (-10 dB)
Operating voltage	70 – 100 Vrms

Mechanical specifications

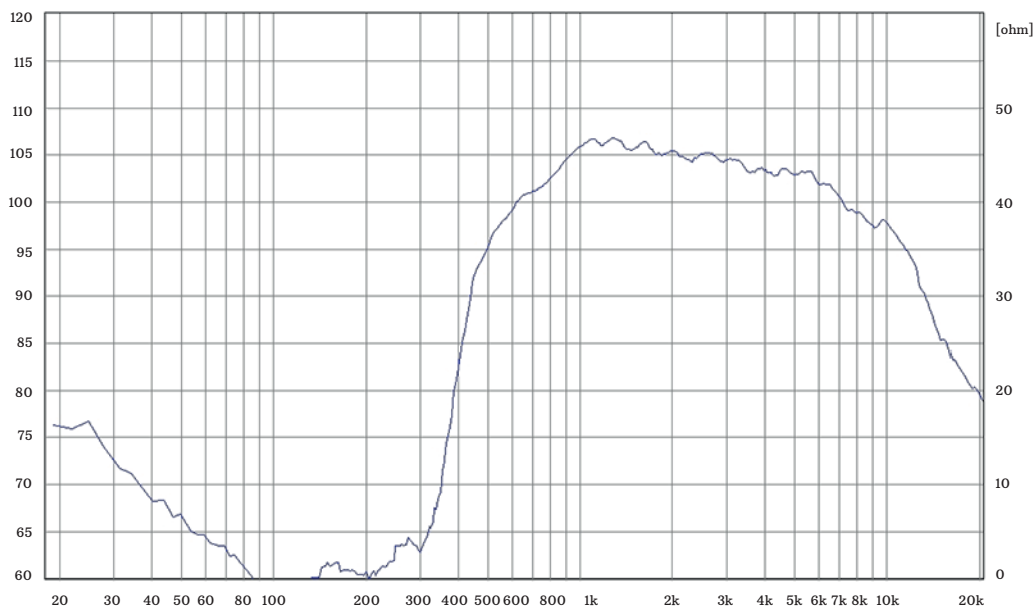
IP protection grade	66
Enclosure material	ABS
Dimensions	142 x 256 mm
Weight	1.9 Kg
Colour	Grey RAL 7035
Mounting type	Wall, ceiling



Dimensions



Diagrams



ORDER CODE

DK 10/T-EN54-PG 10W wall or ceiling mount horn loudspeaker, certified EN54-24



Centobuchi, via Dei Lavoratori 10
63076, Monteprandone (AP), ITALY
Tel. +39 0735 705007 _ Fax +39 0735 704912

info@inim.biz _ www.inim.biz

Inim distributor's stamp and signature