

# DK 15/T-EN54-PG

## 15W WALL OR CEILING MOUNT HORN LOUDSPEAKER

The 15W DK 15/T-EN54-PG horn loudspeaker for voice evacuation systems is equipped with a line transformer with 4 power settings and is EN54-24 certified.

The ABS material which it is made of provides this loudspeaker with high impact resistance and long-term stability, also provided by a ceramic terminal block and a thermal fuse included in the product package.

The package also includes a universal U-shaped stainless steel support to ensure flexible installation (wall or ceiling).



### — TECHNICAL SPECIFICATIONS

#### Main features

- Horn loudspeaker
- Suitable for 70V or 100V lines
- Equipped with internal transformer for adapting the power parameters
- Wall or ceiling mount
- Internal selector to adjust the output power to 15 / 7.5 / 3.75 / 1.9 (20) W
- Gray colour
- Ceramic connection terminal
- Thermal protection fuse included
- EN54-24 certified

#### Electrical specifications

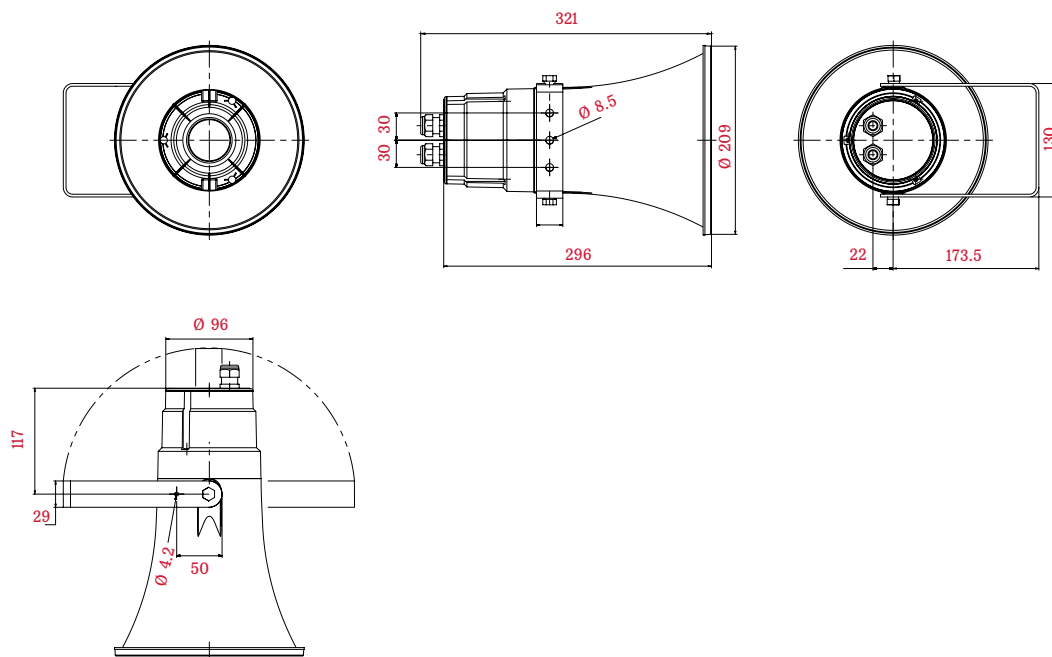
Power (PHC)	15 / 7.5 / 3.75 / 1.9 (20) W (internal selector)
SPL (Sound Pressure Level)	93 dB (1W @ 1m)
Frequency response	300 Hz – 13.800 KHz (-10 dB)
Operating voltage	70 – 100 Vrms

#### Mechanical specifications

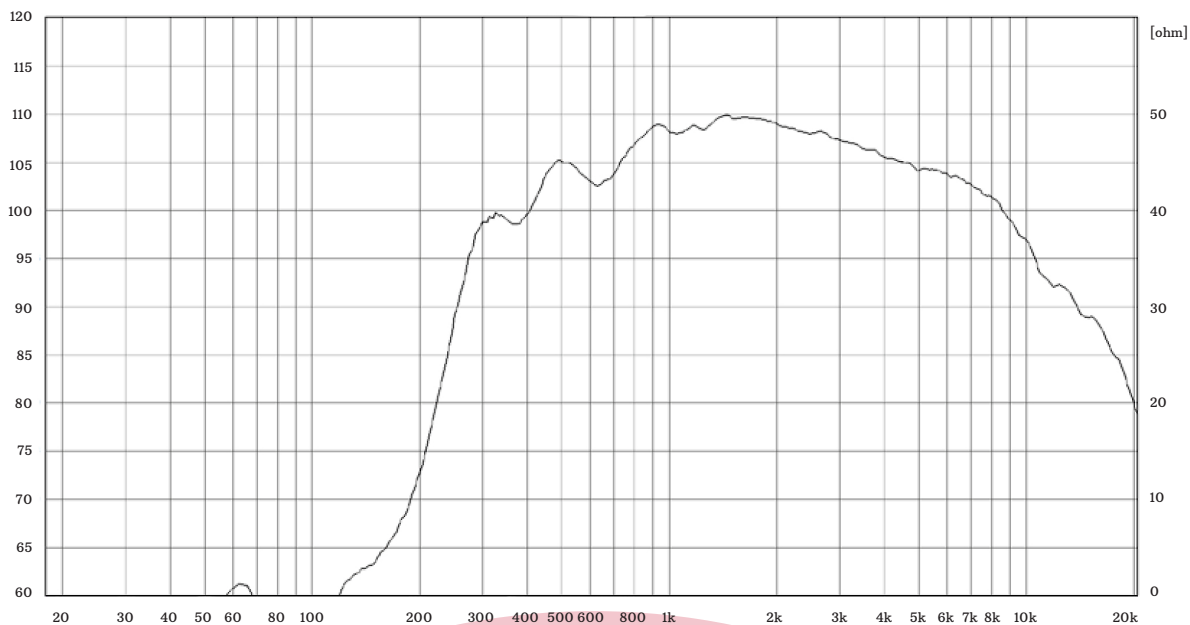
IP protection grade	66
Enclosure material	ABS
Dimensions	209 x 321 mm
Weight	2.08 Kg
Colour	Grey RAL 7035
Mounting type	Wall, ceiling



## Dimensions



## Diagrams



## — ORDER CODE

**DK 15/T-EN54-PG** 15W wall or ceiling mount horn loudspeaker, certified EN54-24



Centobuchi, via Dei Lavoratori 10  
63076, Monteprandone (AP), ITALY  
Tel. +39 0735 705007 \_ Fax +39 0735 704912

info@inim.biz \_ [www.inim.biz](http://www.inim.biz)

Inim distributor's stamp  
and signature