

INTERNAL MODULE WITH 4 INPUTS/OUTPUTS

PREVIDIA | MAX



4 power input/output module
Connects directly to the CAN DRIVE bar.

Through the programming software, each of the four channels can be configured as:

- supervised output capable of supplying a maximum current of 1A@27.6V
- supervised input capable of activating warning, pre-alarm and alarm signals
- conventional zone capable of managing a line of conventional detectors, maximum 32 detectors
- 4-20mA input capable of reading 4-20mA detector signals; settable intervention thresholds

Each Previdia Max control panel can manage a maximum of 16 IFM4IO modules

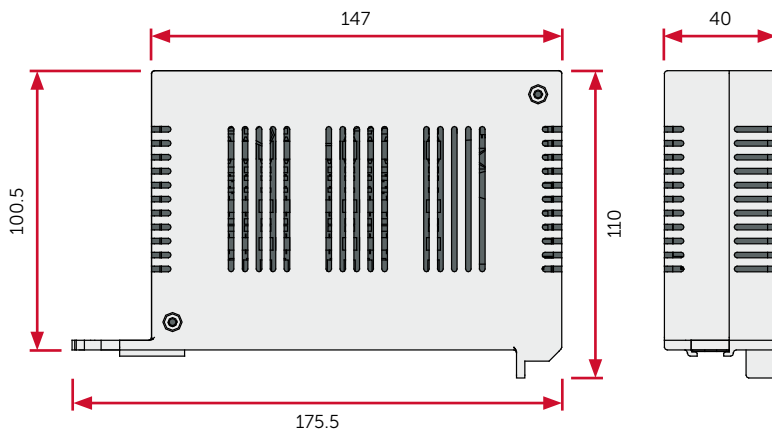
HARDWARE CHARACTERISTICS

- CPU dedicated to the control of the module and communication with the control-panel FPMCPU module
- 5 status LEDs
- Mini USB port
- Hot swap technology
- 4 fully-programmable I/O terminals

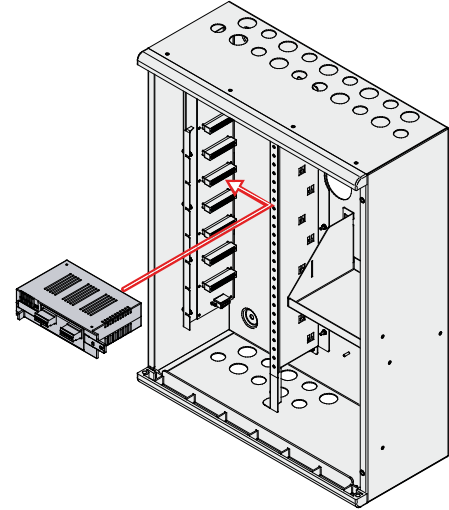
TECHNICAL SPECIFICATIONS

- Terminal programmable as 4-20mA input, conventional zone input, supervised input or supervised output
- Settable resistor values for FAULT, SHORT-CIRCUIT ALARM and OPEN
- Settable value for GAS thresholds
- Maximum current on I/O 1A @ 27.6V
- Power voltage: 19-30Vdc
- Consumption @ 27.6V: stand-by 22mA, max. 170mA
- Operating temperature: from -5°C to +40°C

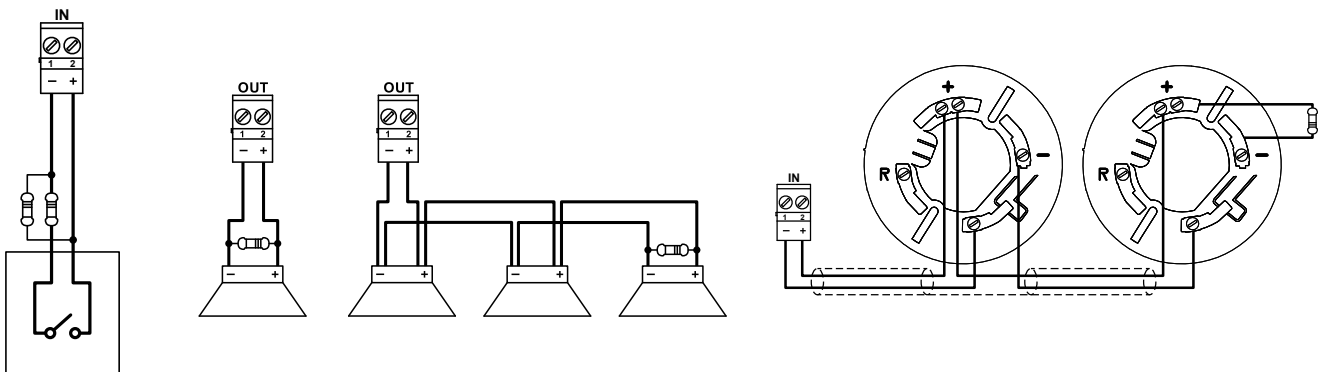
DIMENSIONS



INSTALLATION



CONFIGURATION DIAGRAM



IN THE PACKAGE

- Package dimensions: 18 x 12.5 x 5 cm
- Weight with packaging: 280g

ORDER CODES

IFM4IO internal module with 4 inputs/outputs