

SmartLoop/INOUT



EN 54-2
EN 54-4
EN 54-21

0051
0051-CPR-1415
0051-CPR-1416
0051-CPR-1417
0051-CPR-1418
0051-CPR-1419
0051-CPR-1420

6 INPUT/OUTPUT EXPANSION BOARD. FOR SMARTLOOP CONTROL PANELS

SMARTLOOP

The SmartLoop/INOUT expansion board adds a further 6 terminals to the control panel.

Each terminal can be configured as:

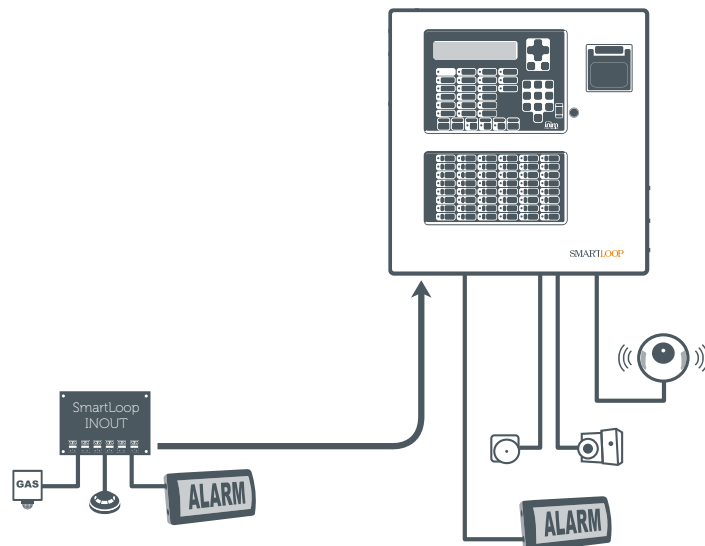
- Supervised output (NAC output – 1A max.)
- Supervised input
- Conventional detectors input line
- 4-20 mA gas detector line

The output trigger signals and the actions generated by the activation of the inputs are fully programmable.



MAIN FEATURES

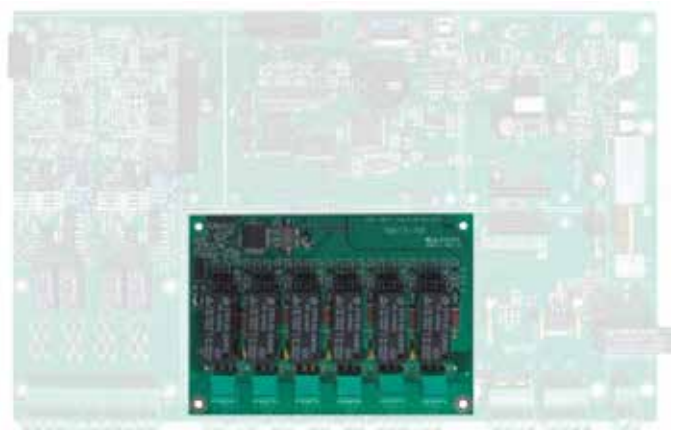
- Supported by SmartLoop control panels
- Adds 6 individually configurable I/O lines
- 1 board for each control panel



INSTALLATION

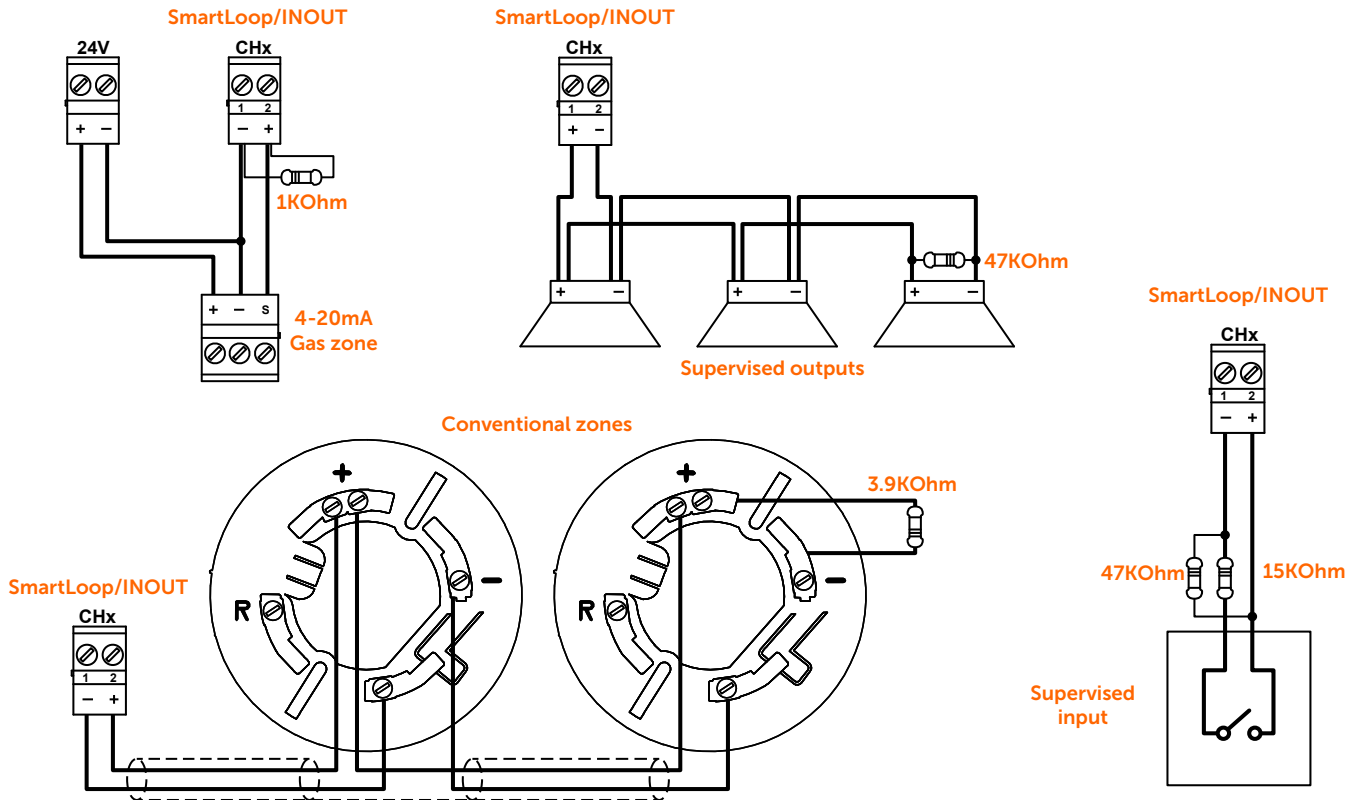
The board comes with supports which screw into the motherboard.

The board plugs directly into the motherboard.



CONNECTIONS

The lines can be configured in different ways and wired in accordance with the selected configuration type.



ORDER CODES

SmartLoop/2080-P: control panel with 2 loops expandable to 8, equipped with command keypad, display, status LEDs and housing for SmartLoop/PRN printer (accessory item)

SmartLoop/2080-G: control panel with 2 loops expandable to 8, equipped with command keypad and display

SmartLoop/2080-S: control panel with 2 loops expandable to 8, with unequipped flush front

SmartLoop/1010-P: control panel with 1 loop, non-expandable, equipped with command keypad, display, status LEDs and housing for SmartLoop/PRN printer (accessory item)

SmartLoop/1010-G: control panel with 1 loop, non-expandable, equipped with command keypad and display

SmartLoop/1010-S: control panel with 1 loop, non-expandable, with unequipped flush front

SmartLoop/INOUT: input and output expansion board