

## Call point protection brackets

### Kit for protection against accidental knocks to call points

The kit includes:

- 2 wall-mount protection brackets [A]
- 4 wall-anchor screws [B]

#### Installation instructions

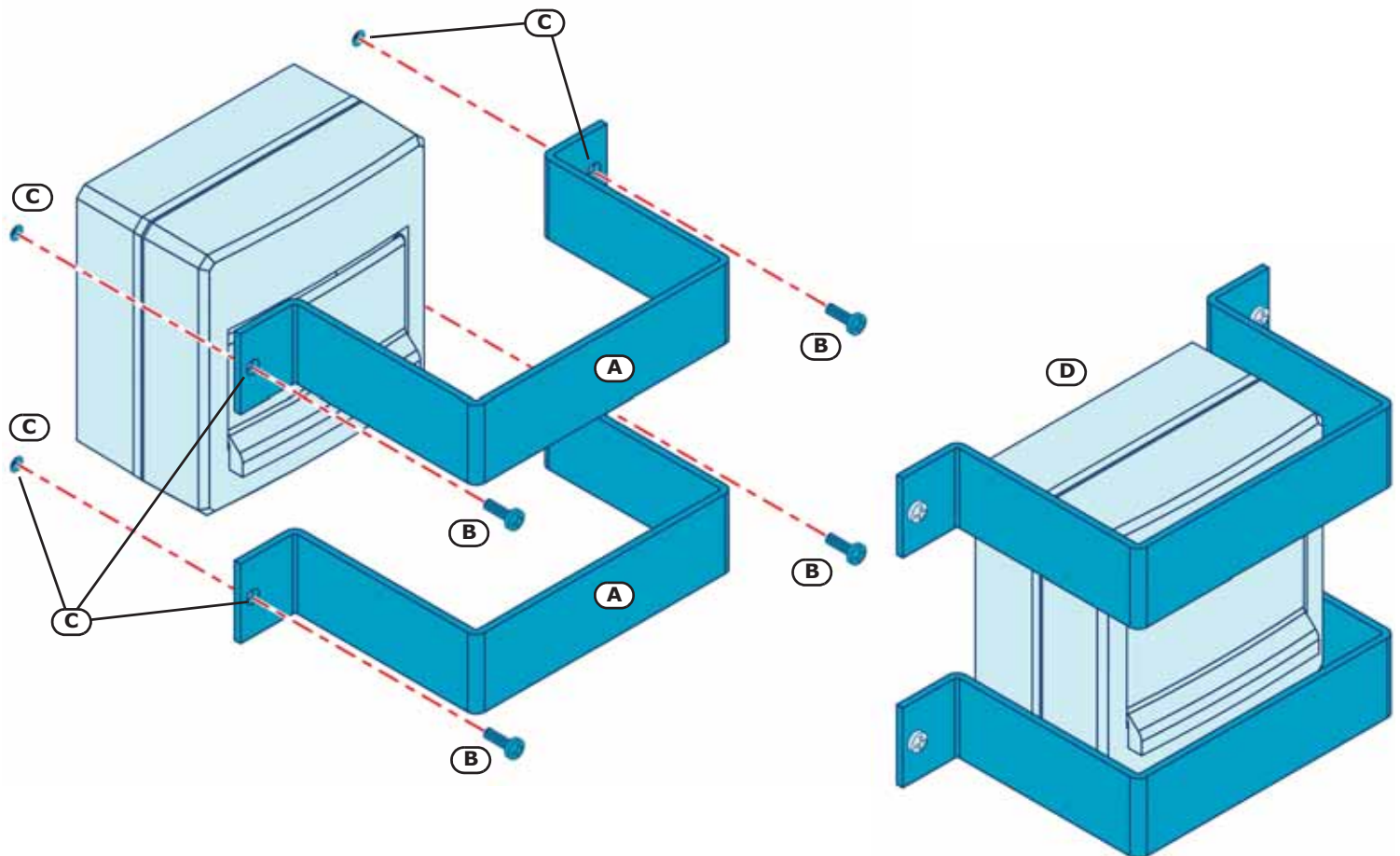
1. Attach the call point to the wall.
2. Mark the mounting locations of the two protection brackets on the wall, as illustrated in the diagram.

**Note:** *The protection brackets must be positioned in such way as not to obstruct access to the call point and to allow easy movement of the call-point stopper.*

3. Drill the screw location holes in the marked positions [C].

**Attention:** **Ensure there are no hidden cables or pipes in the designated mounting location.**

4. Using the 4 screws, attach the protection brackets firmly to the wall. [D]



**INIM Electronics s.r.l.**  
via Fosso Antico, Centobuchi  
63033, Montepandone, (AP) Italy  
Tel. +39 0735 70 50 07  
Fax + 39 0735 70 49 12  
[www.inim.biz](http://www.inim.biz) [info@inim.biz](mailto:info@inim.biz)

This instruction sheet is for informational purposes only and is by no means binding.

The company reserves the right to alter or change the information contained herein without prior notice.