

# ES1000



0051  
0051-CPR-1316  
0051-CPR-1317

## ANALOGUE ADDRESSABLE VISUAL/AUDIBLE ALARM INDICATORS, CEILING MOUNT



**ES1010  
ES1030**



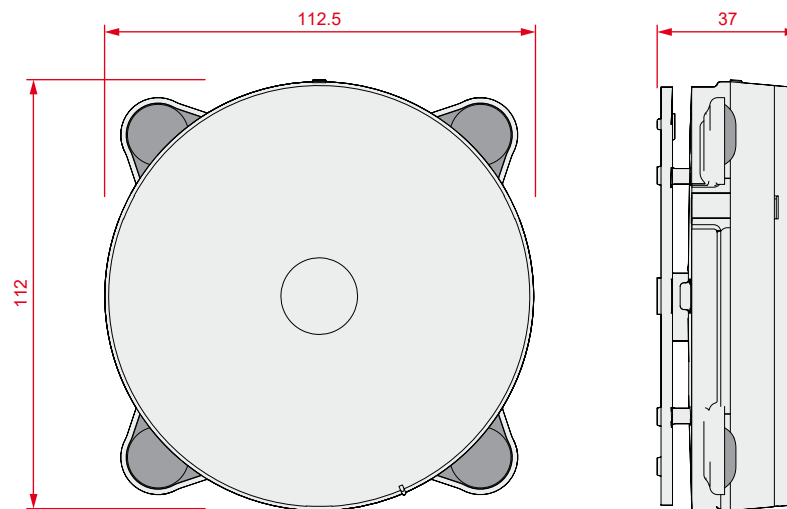
**ES1020  
ES1050**

Addressable visual/audible-alarm indicators for ceiling mounting, IP21 protection rated.

Volume, flash intensity and sound sequences can be selected via the control panel from the 14 tones on-board the device (and 16 voice messages available in 8 different languages, only for versions with the voice function).

For models with the voice function, it is also possible to customize tones/voice messages by means of the EITK2000.

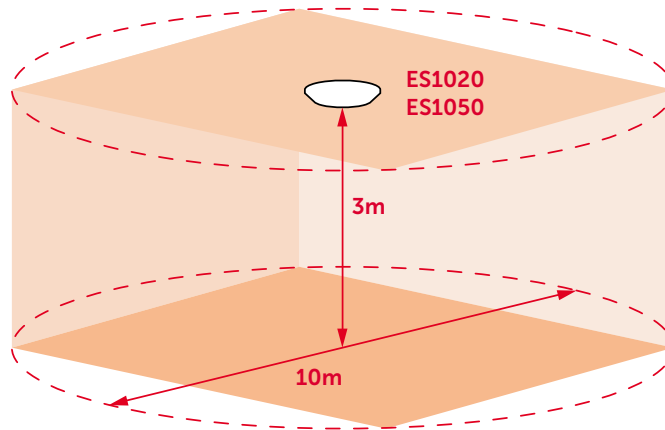
The device is powered via the loop but is equipped with terminals for an optional separate power input.



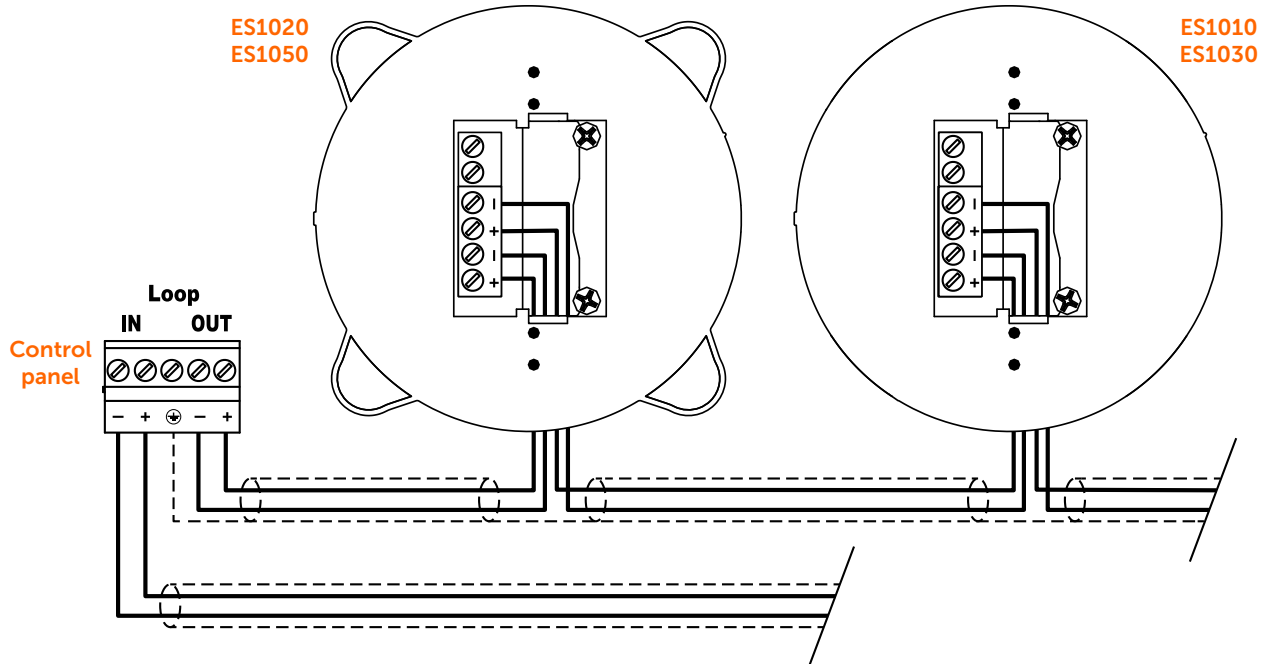
### Main features

	ES1010	ES1020	ES1030	ES1050
Operating voltage	from 18 to 30V <sup>DC</sup>			
Stand-by current draw	200µA			
Maximum current draw	25mA	40mA	25mA	40mA
Installation method	ceiling mount			
Maximum installation height	-	3m	-	3m
Light coverage according to EN54-23	-	C 3-10 O 4-10	-	C 3-10 O 4-10
Flash frequency	-	0.5Hz	-	0.5Hz
Flash color	-	White	-	White
Number of selectable tones	14		104	
Sound pressure at 1mt	98dB			
IP Protection grade	IP21			
Operating temperature	from -10 to 55°C			
Synchronization	Yes			
Multicolor indicating LED	Yes			
Built-in short-circuit isolator (EN54-17)	Yes			
Dimensions	112 x 112.5 x 37mm			
Weight	155g	175g	155g	175g

## FLASH COVERAGE VOLUME



## CONFIGURATION DIAGRAM



## ORDER CODES

- ES1010** Audible alarm indicator, addressable
- ES1020** Visual/Audible alarm indicator, addressable
- ES1030** Audible alarm indicator with voice alert, addressable
- ES1050** Visual/Audible alarm indicator with voice alert, addressable