

Flush Mounting Frame

Kit for flush mounting SmartLine and SmartLight control panels into a solid wall

The kit includes:

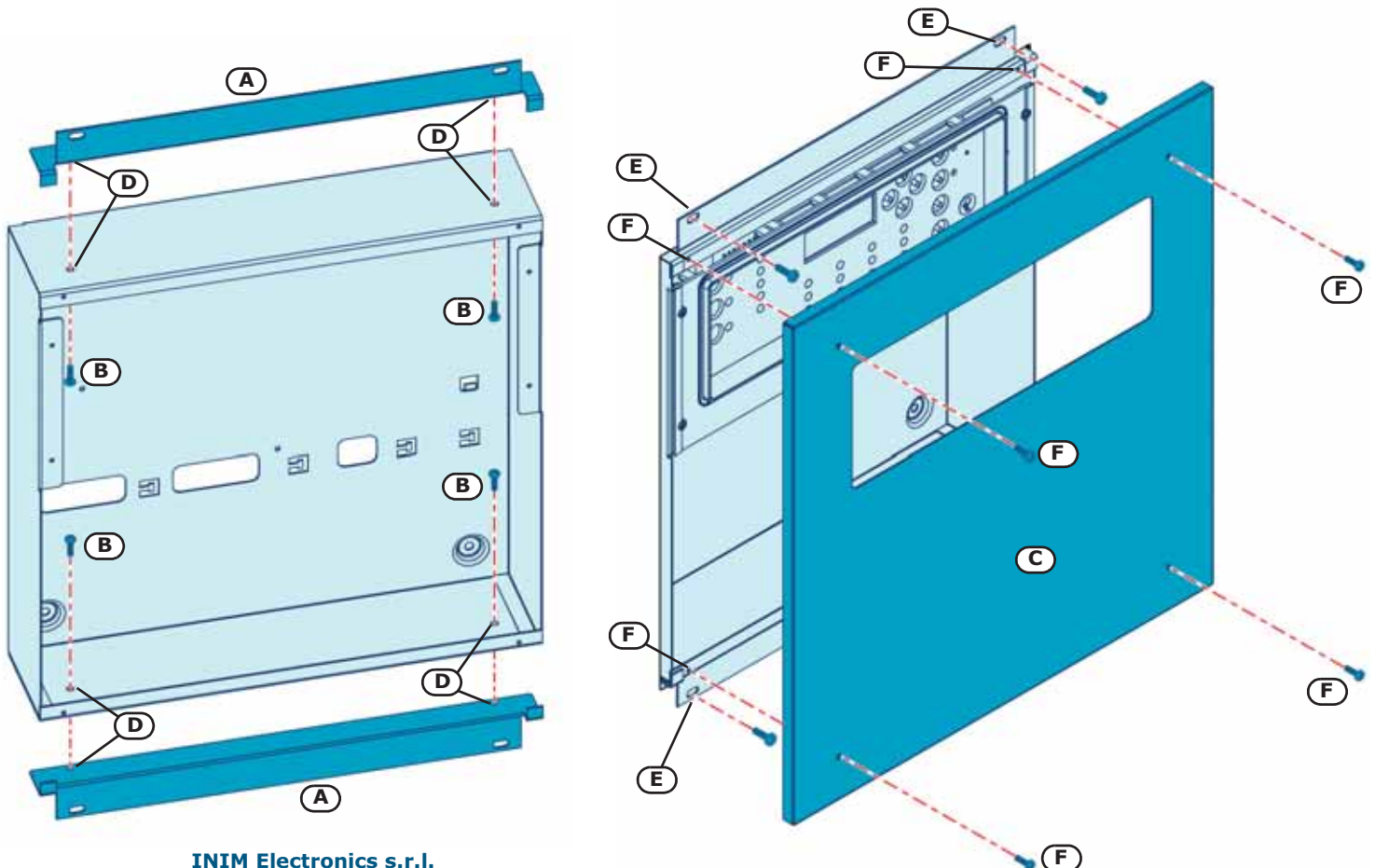
- 2 control panel retainer brackets [A]
- 4-M3x6 screws [B]
- 1 flush-mount frontplate [C]

Installation instructions

1. Disconnect all power sources.
2. Remove the control panel frontplate, the internal boards, the plastic support and the batteries.
3. Depending on the wall construction type, prepare the mounting location.

Attention: Ensure there are no hidden cables or pipes in the designated mounting location.

4. Hold the retainer brackets onto the control panel enclosure (top and bottom). Ensure the raised flanges are facing outwards (as per the diagram).
5. Using the brackets as guides, mark the bracket-fastening locations [D] on the control panel enclosure then, using a 3.5mm drill bit, drill holes in the marked positions.
6. Tighten the screws from the inside of the box [B] and attach the brackets firmly to the enclosure.
7. Replace the boards, the plastic support and the batteries.
8. Fit the control panel enclosure into the pre-prepared mounting area (raised flanges facing outwards).
9. Anchor the control panel in position on the wall by fastening the 4 screws into the bracket attachment locations [E].
10. Complete the connections.
11. Attach the flush-mount frontplate (included in the kit) to the control panel enclosure by fastening the 4 screws (previously used for securing the original frontplate) into the screw locations [F].



INIM Electronics s.r.l.
 via Fosso Antico, Centobuchi
 63033, Monteprandone, (AP) Italy
 Tel. +39 0735 70 50 07
 Fax + 39 0735 70 49 12
 www.inim.biz info@inim.biz

This instruction sheet is for informational purposes only and is by no means binding.

The company reserves the right to alter or change the information contained herein without prior notice.