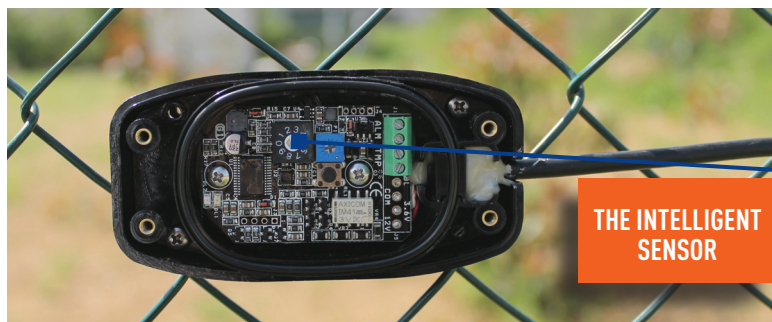
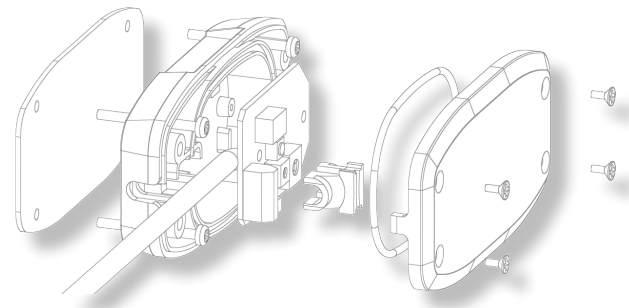


# GAPID



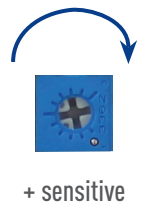
## Break through-proof and climb-proof

GAPID is a MEMS sensor which uses the abilities of a triaxial accelerometer capable of distinguishing and/or detecting all types of vibration and movement, to obtain the best protection for a vast range of supports. Gapid has 6 preset programs plus a further 3 self-addressing for particular and specific situations. Gapid represents real innovation and evolution in the perimeter guards sector.



THE INTELLIGENT SENSOR

### BASIC FUNCTION SELECTORS



## Technical characteristics

Maximum coverage area	Diameter 5 meters on all types of fencing, metal structures and walls
Programming	By means of a 10-position switch trimmer selectable at preset alarm threshold
Self-learning functions	3 of which 1 for alarm and 2 for non-alarm
Functions of standard applications	6 different
Sensitivity / Flow	Adjustable trimmer
Minimum detectable vibration	0.5 mG
Minimum detectable inclination	10°
Saving	Automatic programming set-up
<b>POWER SUPPLIES</b>	
Power supply	10 - 30Vdc or 3.6V with lithium battery selectable
Autonomy (battery)	3 years with 3.6V - 2.7Ah battery (optional battery)
Consumption	At rest 0.05 mA / in alarm 0.2 mA / in alarm 0.8 mA
<b>OUTPUT</b>	
Low battery output	Open negative collector
Alarm output	NC or Balanced on terminal board on board
Tamper output	NC or Balanced on terminal board on board
<b>MECHANICAL CHARACTERISTICS</b>	
dimensions	102x52x19mm
Operating temperature	-40 ° C / + 80 ° C
Material	Anti-scratch black polycarbonate, UV resistant
Degree of protection	IP66
<b>CABLE CHARACTERISTICS</b>	
3 different cable lengths	2m - 4m - 6m shielded, anti-UV, sealed on the sensor
Cable	Anti-gnawing and walkable, suitable for outdoor use
Accessories supplied	Steel plate and fixing screws

## Applications

- Nets and fences
- Grilles and grates
- Gates
- Railings
- Blast-proof walls
- Windows
- Garages and doors