

Nexus

DEVICES FOR GSM, GPRS AND 3G CONNECTIVITY



Nexus/3GP



Nexus, Nexus/G, Nexus/3GU

Devices from the Nexus series are devices for connecting to cellular networks. They connect to the BUS just like any other device and can be installed either on the control panel or in any placement that can be reached by the BUS.

Once connected to the control panel, they provide a supplementary communication channel that backs up the PSTN line of the control panel. The communication channel generated by the Nexus allows users to send voice or digital calls over the GSM/3G network and, thanks to the voice menu with DTMF commands, respond to incoming calls (for enabled users). With Nexus, control panels can send automatic or customizable SMS messages for each event and also receive commands sent via SMS. As a result, it is possible to enable or disable scenarios and outputs, request the status of the device and much more. The same operations are also possible after recognition of caller numbers that belong to a predefined list (CallerID).

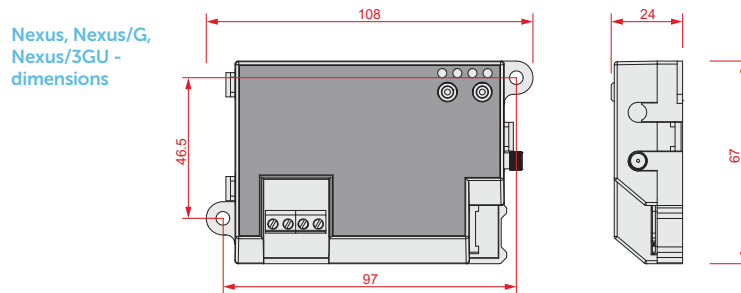
Nexus G and Nexus/3G allow the management of control panels via the GSM/GPRS/3G network.

The device connects to the IP address programmed on the control panel during the installation phase, or to a different IP address that, as appropriate, the installer can decide on and set by sending a simple SMS. Shortly after receiving the SMS, the PC will connect to the remote control panel using the specified IP address. In this way it is possible to activate a remote control session via GPRS/3G to read/write the control panel programming, even when away from the office or using a mobile connection such as "Internet-key", tethering or smartphone hotspot.

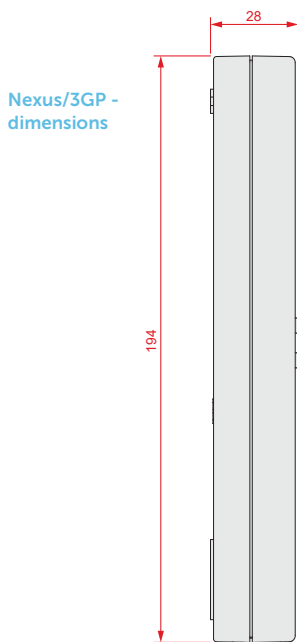
The communications with alarms receiving centres are made possible by means of the most widely used protocols, including SIA-IP standard.

Nexus/G and Nexus/3G allow both the installer and the user to access the Inim Cloud and peer-to-peer services; they can be used both as a main device or as a backup device in the event of the loss of the hardwired LAN connection.

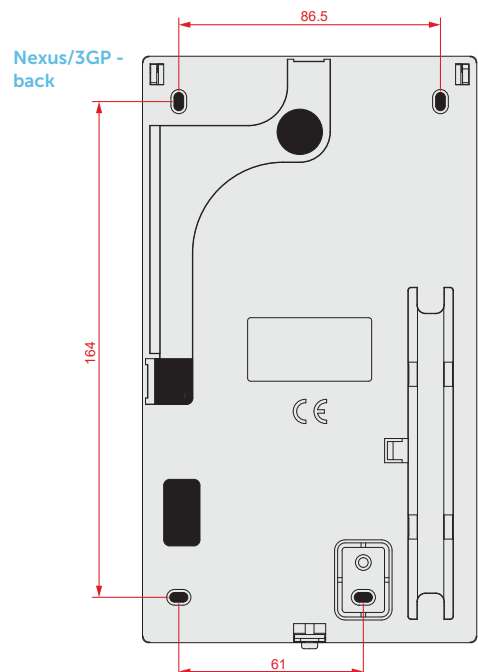
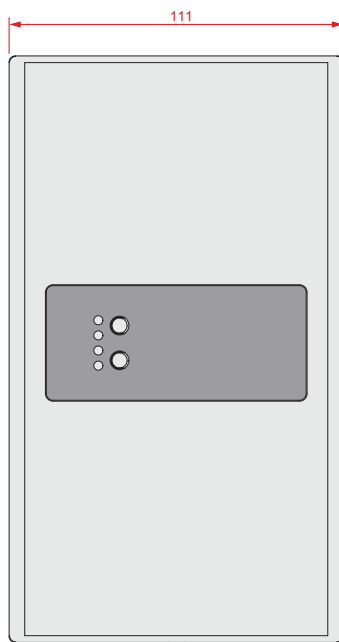
A service-enabled SIM card is required to connect to GPRS/3G networks. It is advisable to check the mobile tariffs of various providers in order to choose the most suitable.



Nexus, Nexus/G, Nexus/3GU - dimensions



Nexus/3GP - dimensions

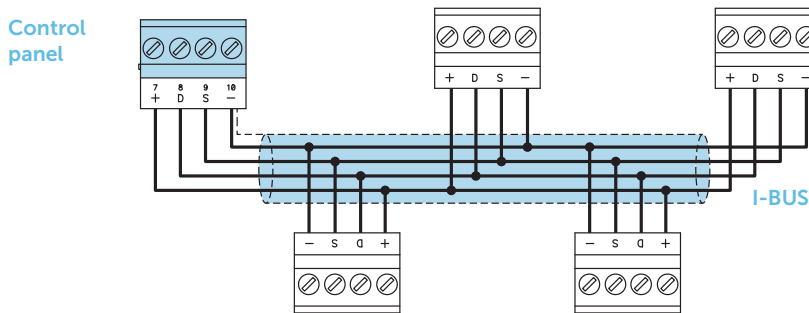


Nexus/3GP - back

Main features

	Nexus	Nexus/G	Nexus/3GU	Nexus/3GP
Voltage	from 9 to 16V $\overleftrightarrow{}$			
Current draw	90mA	90mA	70mA	70mA
Voice communicator over GSM network				Yes
Digital communicator over GSM network				Yes
Sends pre-set and editable SMS texts for each event				Yes
Activates control panel scenarios via SMS text message				Yes
Activates control panel scenarios via Caller ID (200 numbers)				Yes
Command done SMS text or ring feedback				Yes
Diverts incoming SMS texts				Yes
PSTN and GSM channel priority management for each event				Yes
Answerphone functions and DTMF command management				Yes
Device status viewable on system keypad				Yes
Automatic control of remaining credit				Yes
Emergency report via voice, digital and SMS text communication				Yes
Device status notification via SMS texts (remaining credit, mobile network operator, faults, etc..)				Yes
GPRS connectivity	-		Yes	
3G connectivity	-	-	Yes	
Anti-intrusion control panel programming and management	-	via GPRS	via 3G	
IP communicator to alarm receiving centres supporting SIA-IP protocol	-		Yes	
UCS2 character set management	-		Yes	
Inim Cloud Connectivity	-		Yes	
Antenna	remote GSM with 3m of cable and magnetic base		remote GSM-UMTS cable 2m, SMA-Male connector (50Ohm impedance) and magnetic base	dipole GSM-UMTS, SMA-Male connector (impedance 50Ohm), inserted
Dimensions (HxWxD)	67x108x24 mm			111x194x28 mm
Weight	77 gr			180 gr (without batteries)

CONFIGURATION DIAGRAM



ORDER CODES

- Nexus:** I-BUS integrated GSM module for Inim control panels.
- Nexus/G:** I-BUS integrated GSM/GPRS module for Inim control panels.
- Nexus/3GU:** 2G and 3G GSM module integrated on I-BUS with on-view terminals.
- Nexus/3GP:** 2G and 3G GSM module integrated on I-BUS with buffer battery.