



- X Ceiling, Wall or Under Floor Mount
- X 5U of Mounting Space
- X Large Hinged Door
- X Lockable

**Features**

- Ceiling, Wall or Under Floor Mount
- Large Hinged Door
- Only 140mm Deep
- 5U of Mounting Space
- Lockable
- Large Cable Entries

**Product Overview**

The Excel VertiCab offers a flexible solution for mounting equipment or patch panels, both copper and fibre, and a variety of positions. This cabinet may be mounted on the Wall, on the Ceiling or in the Floor Void. The cabinet provides 3U of deep mounting and 2U of shallow mounting to accommodate various patch panels and equipment. As standard the Excel VertiCab includes cable securing and entry positions in an aesthetic lockable enclosure.

As an additional safety/ease of use feature the enclosure is fitted with two small gas struts to ensure the top cover is both easy to open and does not open sharply when mounted overhead.

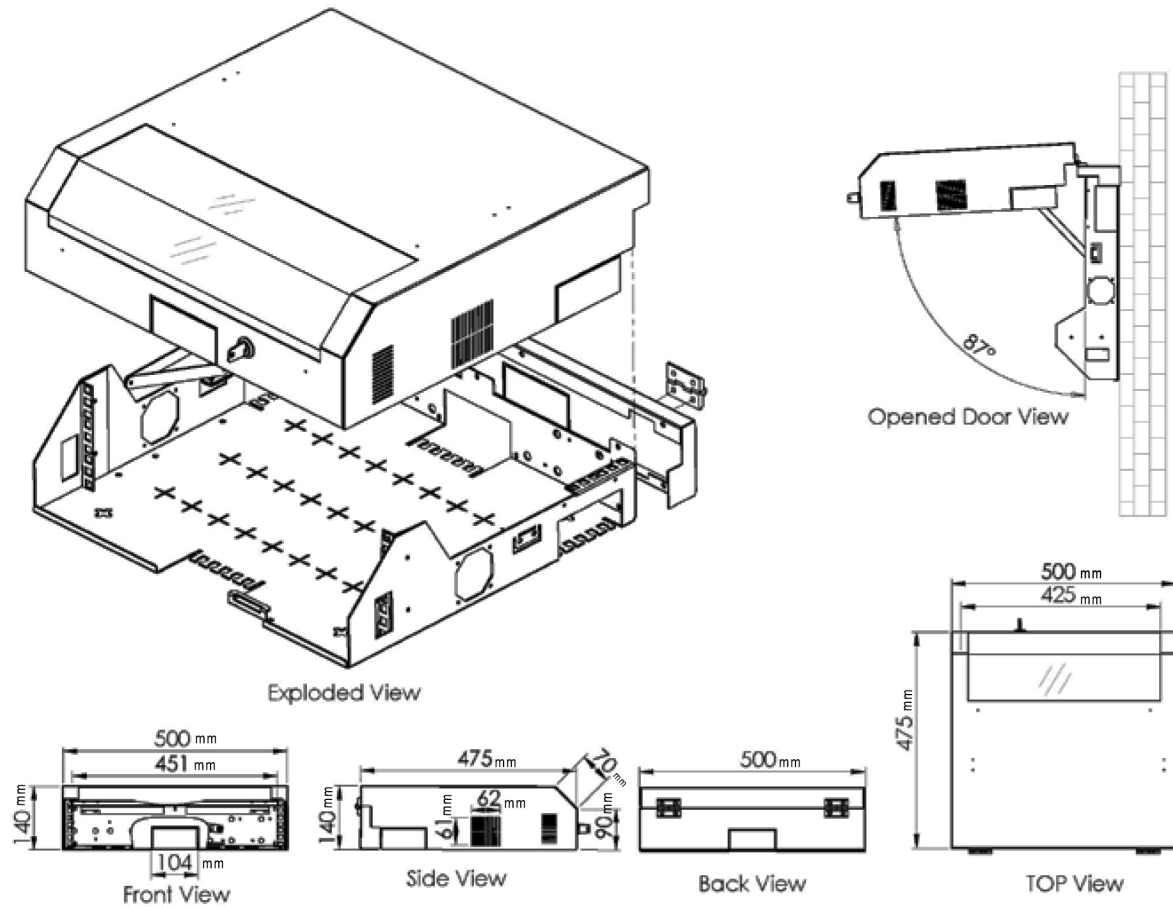
The Excel VertiCab is ideal for use as a Consolidation Point, Small Active Equipment Housing or Local Active Equipment distribution point, etc.



**Details**

Load Carrying Capacity	80 kg
Surface Treatment	Phosphate Coating
Colour	Black - RAL9004

## Product Diagram



## Standards

ISO 9001	Quality management systems
EN 61587-1	Mechanical structures for electronic equipment. Tests for IEC 60917 and IEC 60297. Climatic, mechanical tests and safety aspects for cabinets, racks, subracks and chassis
EN61587-1/5.2.1	Static Mechanical Load Lifting
EN61587-1/5.2.2	Static Mechanical Load Stiffness
EN61587-1/5.3.1, EN61587-1/5.3.3, IEC60068-2-6, IEC60068-2-27	Dynamic Mechanical Load Vibration and Shock, Impact
EN61587-1/6.2	Earth Bond

## Part Number Information

Part No.	Description
350-752	Excel VertiCab

Excel is a world-class premium performing end-to-end infrastructure solution - designed, manufactured, supported and delivered - without compromise.

Contact us at [sales@excel-networking.com](mailto:sales@excel-networking.com)



[www.excel-networking.com](http://www.excel-networking.com)

E&OE. Excel is a registered trade name of Mayflex Holdings Ltd.