

X Low Profile - 28mm overall depth

X Delta 3rd Party Verified

X Supports Gigabit Ethernet

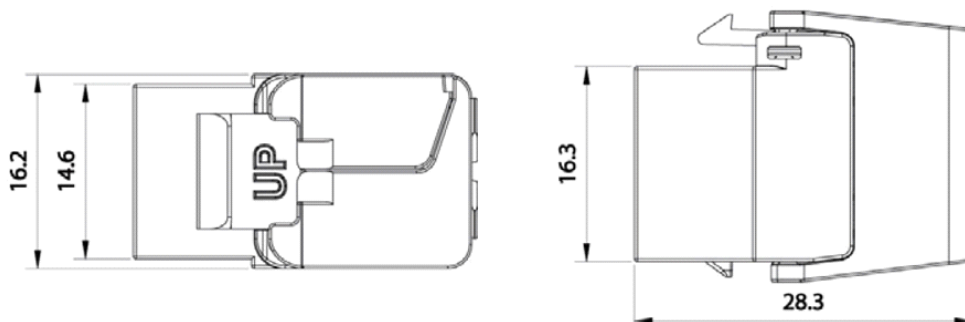
X 25 Year System Warranty

**Features**

- Low Profile - 28mm overall depth
- Supports Gigabit Ethernet
- Toolless termination design
- Delta 3rd Party Verified
- 25 Year System Warranty
- Lifetime Product Warranty

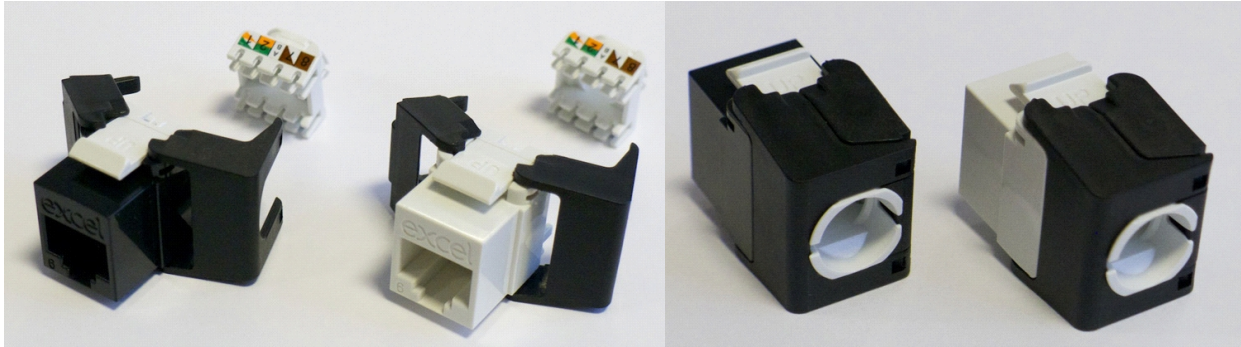
**Product Overview**

The Excel Category 6 Low Profile Unscreened Keystone Jack, is a reduced size toolless termination RJ45 socket. The reduced size allows for multiple cable entry directions to be accommodated when this jack is mounted in a standard depth back box. This permits many mounting options including flush shutters at the outlet as well as more common angled shutter used with keystone jacks. A choice of compatible Patch Panel frames with either 16 or 24 port density in both black and chrome are available for this Low Profile Jack. The low profile design allows this jack to fit in the Excel 0.5U 24 Port Patch Panel resulting in a maximum port density of 48 per 1U. The socket itself is housed in a high quality fire retardant plastic cast housing, which opens at the rear in a butterfly manner to reveal the IDC termination points. Once the pairs are arranged in the cable management cap and trimmed it is a simple case of closing the 'butterfly' together to complete the termination. Third party verification by Delta assures this high performance jack exceeds the requirements of the ISO, EN & TIA component standards.



## Performance Overview

The Excel Category 6 Low Profile Uncreened Keystone Jack is designed and manufactured to comply with the requirements of Category 6/Class E specifications as defined in ISO 11801 2nd edition amend 1, and ANSI/TIA-568-C.2 and EN 50173 standards. A range of performance characteristics are tested up to 250Mhz including return loss, attenuation, and near end cross talk (NEXT). Both worst case and power sum test methods are applied. The product design incorporates 50 micro-inch gold plated contact pins within the jack to ensure optimum performance levels are achieved. Support of applications such as Gigabit Ethernet is guaranteed over all standards based channel configurations of distances of up to 100 metres. The Low Profile keystone jack is fully interoperable with Excel Keystone Patch Panels and Mounting Hardware.



## Performance / Specification Table

Specification	ISO 11801, EN 50173 & ANSI/TIA-568-C.2
Dimensions	16.2mm wide x 28.3mm deep x 21.5mm high
Housing	UL94V-0 Fire Retardant Plastic
RJ45 Contacts	Nickel plated phosphor bronze alloy with 50 micro-inch Gold plating
IDC Contacts	Tin plated phosphor bronze alloy
RJ45 Life	Minimum 750 insertions
Temperature range	
Storage	-40 to +70° C
Operation	-10 to +60° C
Relative humidity (Operational)	93% Maximum Non-condensing

## Typical Applications

- 10Base-T Ethernet
- 100BASE-TX Fast Ethernet
- 1000BASE-T Gigabit Ethernet
- PoE & PoE-plus
- Digital and Analogue Video
- 155 Mbs ATM

## Part Number Information

Part No.	Description
100-215-WT	Category 6 (UTP) Low Profile Toolless Jack - White
100-215-BK	Category 6 (UTP) Low Profile Toolless Jack - Black

## System Warranty

The Excel System Warranty provides a 25-year product and applications assurance of compliance with the industry performance standard appropriate to the class of cabling installed. The warranty may be applied for by an accredited Excel Partner who has designed, supplied and installed the said system.



Excel is a world-class premium performing end-to-end infrastructure solution - designed, manufactured, supported and delivered - without compromise.

Contact us at [sales@excel-networking.com](mailto:sales@excel-networking.com)

**excel**  
without compromise.

E&OE. Excel is a registered trade name of Mayflex Holdings Ltd.

[www.excel-networking.com](http://www.excel-networking.com)