

Excel Cable Management Bar - 1U - 4 Vertical Metal Hoops - 65mm - Black

Item Code: 100-582

excel
without compromise.



✕ Management of patch leads

✕ Also available in 2U

✕ Cage nut set included

✕ Black metal bar and rings

✕ 65mm cable rings

Product Overview

A range of cable management bars designed to fit in standard 19" racks and cabinets.

Product Specifications

Feature	Values
Model	Cable management bar
Material	Metal
Suitable for 19 inch mounting	Yes
Number of rack units (RU)	1
Colour	Black

Standards

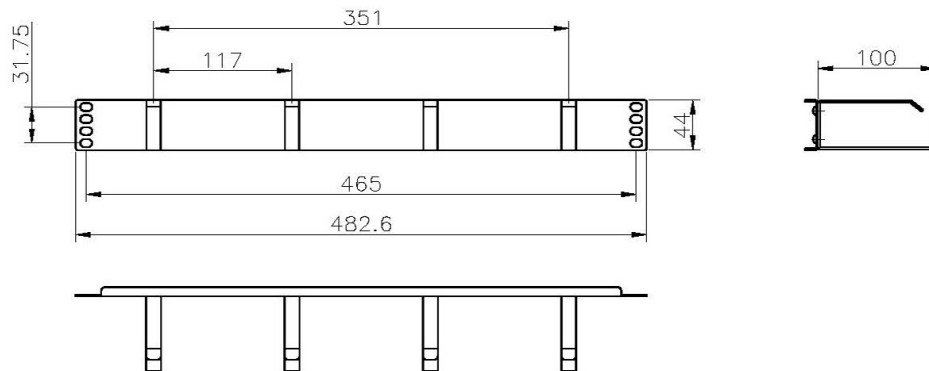
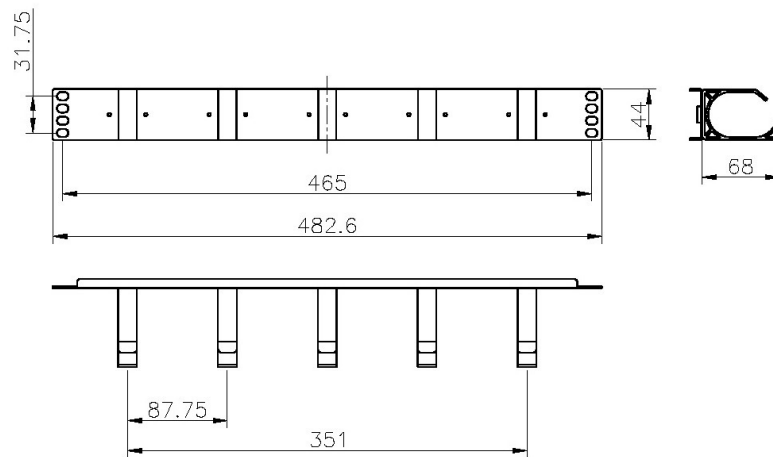
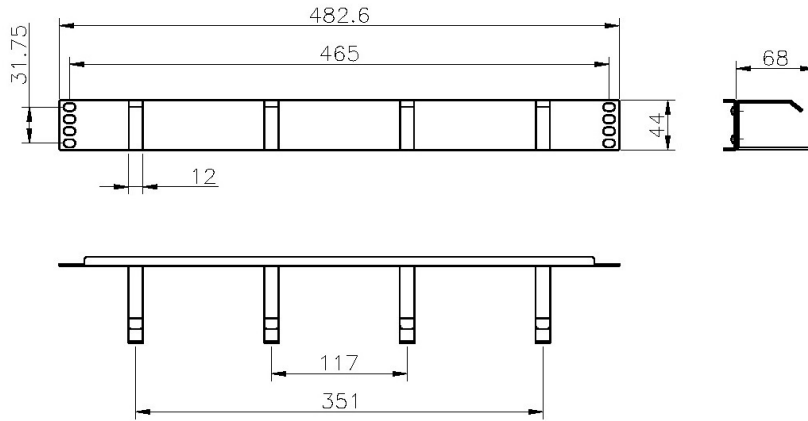
Applicable standard	Detail
RoHS	Compliant to the Restriction of Hazardous Substances
WFD	Compliant to Waste Framework Directive
SCIP	Compliant - Does Not Contain Substances of Concern in Products

Excel Cable Management Bar - 1U - 4 Vertical Metal Hoops - 65mm - Black

Item Code: 100-582



Product drawings



Excel Cable Management Bar - 1U - 4 Vertical Metal Hoops - 65mm - Black

Item Code: 100-582



Part Number Table

Part Number	Description
100-582	Excel Cable Management Bar - 1U - 4 Vertical Metal Hoops - 65mm - Black
100-583	Excel Cable Management Bar - 1U - 4 Vertical Metal Hoops - 100mm - Black
100-586	Excel Cable Management Bar - 1U - 5 Vertical Plastic Hoops - 65mm - Black
100-590	Excel Cable Management Bar - 1U - 3 Vertical/2 Horizontal Metal Hoops - Black
100-594	Excel Cable Management Bar - 2U - 4 Vertical Metal Hoops - 65mm - Black

Excel is a world class premium performing end to end infrastructure solution designed, Manufactured, supported and delivered without compromise.

Contact us at sales@excel-networking.com



E&OE. Excel is a registered trade name of Mayflex Holdings Ltd.