

Section Public Address

Category EN 54-24 Loudspeakers

Range C37/6-EN

References  
**Safety:** Compliant to EN 60065  
**Emergency:** EN 54-24, EN 60849  
**Application:** Indoor environments (Type A)  
**Protection Degree:** IP32

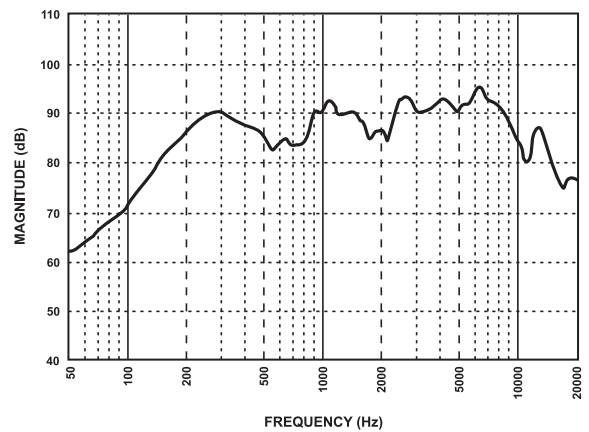
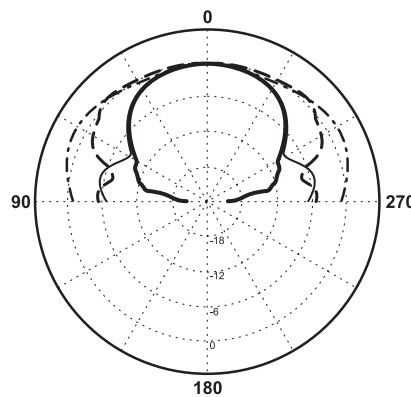


Description **Box-type speaker units for voice alarm systems**

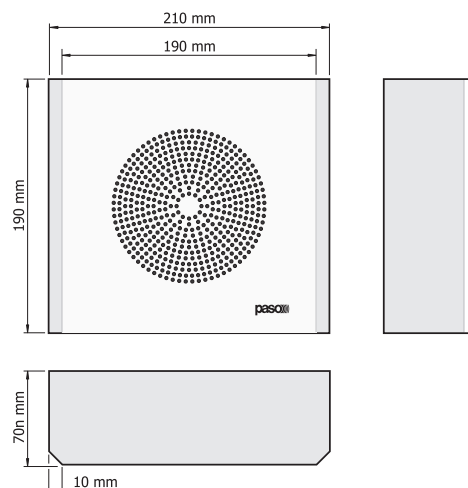
The **C37/6-EN** box-type speaker unit consists of a powder-painted metal housing and uses a loudspeaker ( $\varnothing$  130 mm) with a broad response range. It has a transformer for constant-voltage lines (50, 70 and 100 V). These speaker units have been developed specifically for use in emergency and evacuation systems (VES) and each has its own ceramic terminal strip and thermal fuse. These ensure the protection of the line connecting the loudspeakers if a fire puts one or more of the speaker units connected to it out of use.

Technical data


- - - 500 Hz
- 1000 Hz
- - - 2000 Hz
- 4000 Hz



Simulated free-field measurements.



Technical data

C37/6-EN	
 0068 PASO S.p.A Via Settembrini, 34 - 20020 Lainate (MI) 13 0068-CPD-033/2013 <b>EN 54-24</b> Loudspeaker for voice alarm systems for fire detection and fire alarm systems for buildings <b>C37/6-EN</b> Type A	
Rated output	6 W (100 V)
Nominal impedance (100 V line)	1667 Ω (6W) 3333 Ω (3W) 6667 Ω (1.5W)
Nominal impedance (70 V line)	817 Ω (6W) 1633 Ω (3W) 3267 Ω (1.5W)
Sensitivity	91 dB (1W/1m)
Max. sound pressure SPL*	99 dB (6W/1m)
Frequency response	150 ÷ 15.000 Hz (peak -10 dB)
Horizontal angle of dispersion (-6 dB)	180° (500 Hz) 180° (1 kHz) 90° (2 kHz) 70° (4 kHz)
Vertical angle of dispersion (-6 dB)	180° (500 Hz) 180° (1 kHz) 90° (2 kHz) 70° (4 kHz)
Operating/storage temperature	-25°C ÷ +55°C / -40°C ÷ 70°C
Relative humidity	< 95%
Dimensions	210 x 190 x 70 mm
Weight	1,6 kg

\* Measurement made at the geometric center of the loudspeaker.