

Category

Loudspeakers

Code

TR10-TW

Range

Horns with built-in unit

Description

10 W Horn Speaker Unit

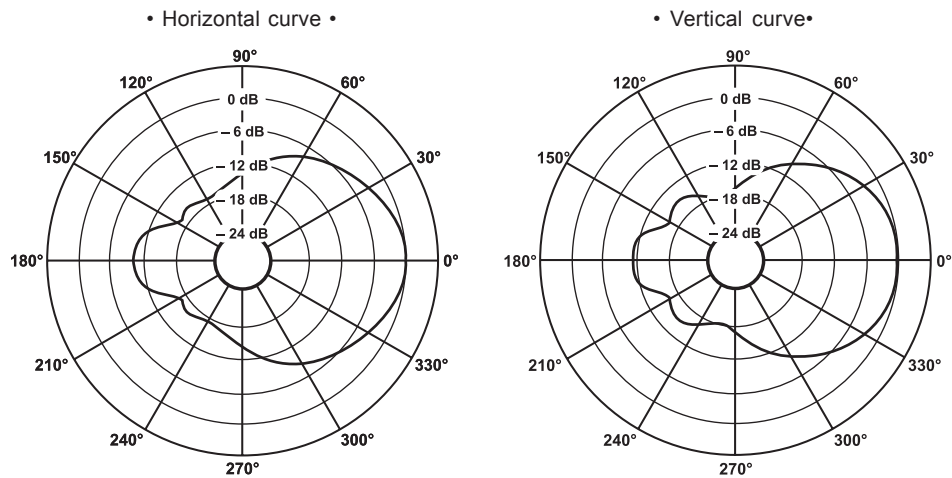
Horn loudspeaker made according to construction criteria and with materials suitable for use in difficult environments and with excellent safety characteristics. The housing is made of die-cast aluminium, the horn of shockproof ABS and the fixing bracket of stainless steel. The whole assembly is watertight, with class of mechanical protection IP65. The electrical specifications are designed for maximum reliability. The input transformer for connection to constant-voltage lines is fitted with sockets for adjusting the output power delivered. A 4-position control is provided for selecting the required power. The speaker unit comes complete with a lead for correct connection to earth.



Technical data

Rated output power	10 W
Adjustable output power	10 - 5 - 3 - 1 W
Line voltage	70 - 100 V
Frequency response	450 ÷ 10.000 Hz
Efficiency (1W/1m)	102 dB
Acoustic pressure (Pnom/1m)	112 dB
Horizontal dispersion angle (2 kHz)	100°
Vertical dispersion angle (2 kHz)	90°
Weight	1,2 kg

Polar diagrams (2 kHz)



Layout dimensions

