

Section Public Address

Category Exponential horns

Range Horns with separate driver units

Code TR1-B

Description Round exponential horn (IP 65)

Exponential horn speaker unit, made of grey (RAL 7000) UV stabilized polypropylene. It has a circular horn and a swivelling bracket for mounting it on a wall. It is possible to mount any one of the following units: UT35, UT35-T or UT60-T. The specific characteristics of the speaker units and dynamic units are indicated in the following tables.

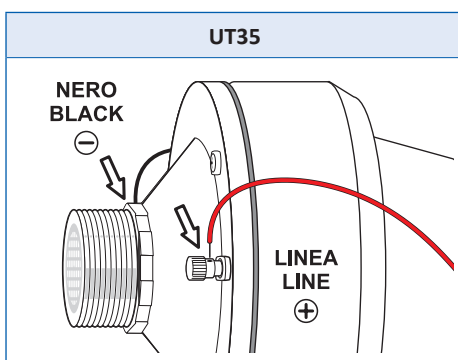


Technical data

Horn	TR1-B
Frequency response*	350 ÷ 5.000 Hz
Efficiency (1W/1m)*	108 dB
Acoustic pressure (Pnom/1m)*	123 dB
Horizontal dispersion angle (2 kHz)*	50°
Weight	1,2 kg

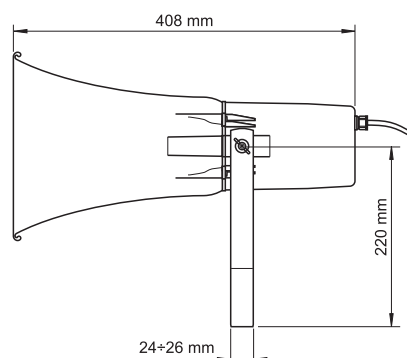
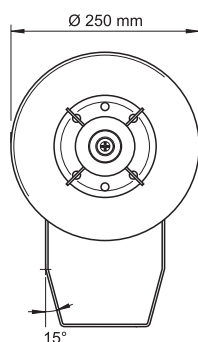
* Reference measurements carried out using unit UT35-T.

Driver unit	UT35	UT35-T	UT60-T
Rated power	35 W		60 W
Adjustable power	-	35 - 20 - 10 W	60 - 40 - 20 W
Impedance	16 Ω	-	-
Line voltage	100 V		
Weight	1,3 kg	1,75 kg	2,1 kg



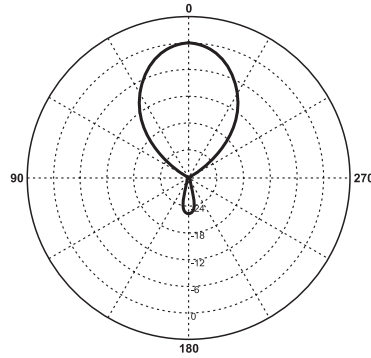
UT35-T			
LINE = 100 V	35 W	20 W	10 W
COLOUR	Orange	Red	Brown
COMMON	Black		

UT60-T			
LINE = 100 V	60 W	40 W	20 W
COLOUR	Orange	Red	Brown
COMMON	Black		



Technical data

Horizontal plot @2kHz



Reference measurements carried out with a UT35-T unit.

